



**WINCH DRIVES** |

  MADE IN ITALY

 **REGGIANA  
RIDUTTORI**  
PLANETARY REDUCTION **GEARS**





OUR DRIVES

## PLANETARY LIFTING SPECIALISTS

With almost 50 years of engineering experience, Reggiana Riduttori is one of the world's leading companies in the design and manufacture of gearboxes for a wide variety of lifting installations.

This brochure aims to provide to you an overview on our W Series. The W drives have been designed to offer a **compact** and **flexible** product and to resist intense application cycles.

Our gear units are easy to maintain even when assembled in the drum, as all the interfaces are on the motorside.

**Reggiana Riduttori supplies the winch gearbox including brakes, motor connections and other accessories as per W Series technical catalogue.**

**The gearbox can be customized** to ensure a perfect and simple assembly on your system.



*Con quasi 50 anni di esperienza ingegneristica, Reggiana Riduttori è una delle aziende leader a livello mondiale nella progettazione e produzione di **riduttori per un'ampia varietà di applicazioni che richiedono argani.***

*Questa brochure ha lo scopo di fornirvi una panoramica sulla Serie W - riduttori per argano. Progettati per essere **compatti e flessibili, per resistere a cicli applicativi intensi**, i riduttori Serie W sono di facile manutenzione anche quando già inseriti nel tamburo, in quanto tutte le interfacce sono lato motore. Reggiana Riduttori fornisce il riduttore per argano comprensivo di freni, collegamenti motore ed altri accessori come da catalogo tecnico Serie W. Il riduttore può essere personalizzato per garantire un montaggio perfetto e semplice sull'impianto.*

MAXIMUM COMPACTNESS & MODULARITY

ATEX, DNV, BNB CERTIFICATIONS

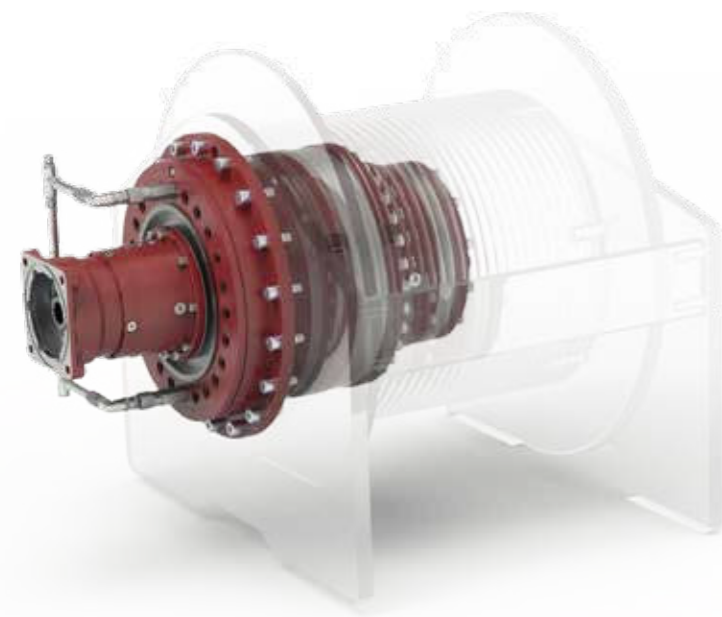
100% MADE IN ITALY







## TECHNICAL RATINGS OF THE RANGE



THE MULTIDRIVE  
SOLUTION ♦

## TECHNICAL DATA W SERIES

Input types available

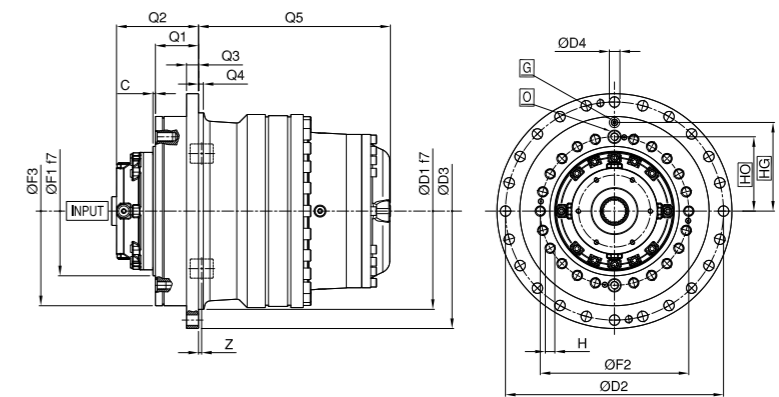


WINCH DRIVE	INPUT TYPE	C	Q1	Q2	Q3	Q4	Q5	F1	F2	F3	H	HO	O	HG	G	D1	D2	D3	D4
RR510 L2 W	B	11	60	140	15	8	160	185	220	244	M14 N°12	110	1/4"G N°2	110	1/8"G N°2	246	271	291	Ø13 N°12
RR510 L3 W	B	11	60	140	15	8	160	185	220	244	M14 N°12	110	1/4"G N°2	110	1/8"G N°2	246	271	291	Ø13 N°12
RR810 L2 W	B	5	60	134	18	10	212	200	255	290	M16 N°16	127,5	3/8"G N°2	127,5	1/8"G N°2	300	327	355	Ø17 N°12
RR810 L3 W	B	5	60	146	18	10	212	200	255	290	M16 N°16	127,5	3/8"G N°2	127,5	1/8"G N°2	300	327	355	Ø17 N°12
RR1010 L2 W	B	5	60	134	18	10	223,5	200	255	290	M16 N°16	127,5	3/8"G N°2	127,5	1/8"G N°2	325	350	380	Ø17 N°18
RR1010 L3 W	B	5	60	146	18	10	223,5	200	255	290	M16 N°16	127,5	3/8"G N°2	127,5	1/8"G N°2	325	350	380	Ø17 N°18
RR1700 L2 W	C	5	60	65	18	10	275	250	280	315	M16 N°20	140	3/8"G N°2	140	1/8"G N°2	345	375	405	Ø17 N°24
RR1700 L3 W	B	5	60	133	18	10	275	250	280	315	M16 N°20	140	3/8"G N°2	140	1/8"G N°2	345	375	405	Ø17 N°24
RR2500 L2 W	C	5	80	85	25	12	362	270	310	395	M20 N°22	155	3/8"G N°2	185	1/8"G N°1	370	428	460	Ø22 N°24
RR2500 L3 W	B	5	80	153	25	12	362	270	310	395	M20 N°22	155	3/8"G N°2	185	1/8"G N°1	370	428	460	Ø22 N°24
RR3200 L2 W	C	5	90	95	25	10	400,5	270	310	395	M20 N°22	155	3/8"G N°2	185	1/8"G N°1	410	455	490	Ø22 N°24
RR3200 L3 W	B	5	90	171	25	10	400,5	270	310	395	M20 N°22	155	3/8"G N°2	185	1/8"G N°1	410	455	490	Ø22 N°24
RR5200 L2 W	C	5	90	95	25	10	450	325	380	474	M24 N°22	190	1/2"G N°2	222,5	1/8"G N°1	470	520	560	Ø26 N°18
RR5200 L3 W	B	5	90	151	25	10	450	325	380	474	M24 N°22	190	1/2"G N°2	222,5	1/8"G N°1	470	520	560	Ø26 N°18
RR6500 L2 W	D	5	90	95	30	10	589	370	430	538	M24 N°22	215	1/2"G N°2	255	1/8"G N°1	550	590	630	Ø26 N°24
RR6500 L3 W	C	5	90	163	30	10	589	370	430	538	M24 N°22	215	1/2"G N°2	255	1/8"G N°1	550	590	630	Ø26 N°24
RR10000 L2 W	F	5	90	95	30	10	709	420	470	575	M24 N°22	235	1/2"G N°2	272,5	1/8"G N°1	580	630	680	Ø26 N°24
RR10000 L3 W	C	5	90	200	30	10	709	420	470	575	M24 N°22	235	1/2"G N°2	272,5	1/8"G N°1	580	630	680	Ø26 N°24
RR15000 L2 W	F	5	110	115	30	10	775	460	510	630	M30 N°26	255	3/4"G N°2	300	1/8"G N°1	645	695	750	Ø33 N°24
RR15000 L3 W	C	5	110	195	30	10	775	460	510	630	M30 N°26	255	3/4"G N°2	300	1/8"G N°1	645	695	750	Ø33 N°24
RR20000 L2 W	G	8	120	128	37	15	789	550	610	740	M30 N°28	305	3/4"G N°2	370	1/8"G N°2	750	810	860	Ø33 N°30
RR20000 L3 W	D	8	120	128	37	15	789	550	610	740	M30 N°28	305	3/4"G N°2	370	1/8"G N°2	750	810	860	Ø33 N°30
RR25000 L2 W	H	10	120	130	40	15	894	650	700	830	M30 N°34	350	3/4"G N°2	415	1/8"G N°2	850	900	950	Ø33 N°36
RR25000 L3 W	F	10	120	133	40	15	894	650	700	830	M30 N°34	350	3/4"G N°2	415	1/8"G N°2	850	900	950	Ø33 N°36

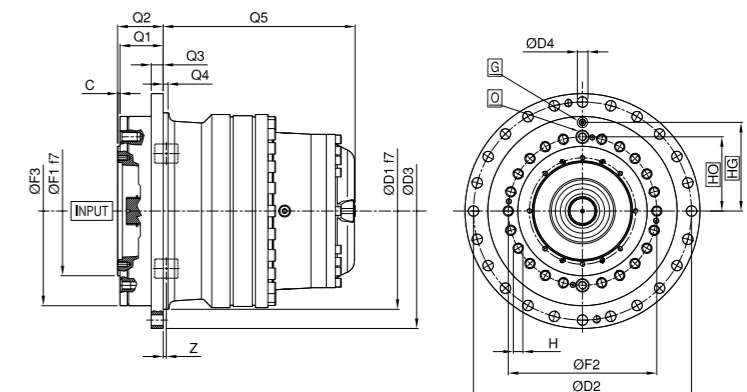
WINCH DRIVE	RATINGS							
	T2 FEM [Nm]	STATIC TORQUE [Nm]	n1 max	BEARING LOAD			RATIO	WEIGHT
	M5 (T5-L2) n <sub>z</sub> =15 rpm	T2 max	rpm	C <sub>0</sub> [N]	C [N]	Z [mm]	[-]	[kg]
RR510 W	5200	10000	up to 3500	199000	295000	13	12,24 - 248,07	53 - 55
RR810 W	9700	21000	up to 3500	260000	385000	6,5	12,34 - 264,45	97 - 100
RR1010 W	14400	27000	up to 3500	260000	385000	6,5	12,60 - 241,09	110 - 113
RR1700 W	22400	40000	up to 3500	350000	520000	28,5	12,93 - 245,00	137 - 151
RR2500 W	29600	60000	up to 3500	350000	520000	4	14,69 - 253,53	195 - 205
RR3200 W	44700	79000	up to 3500	610000	960000	6,5	15,00 - 223,59	245 - 260
RR5200 W	64700	110000	up to 3500	650000	1050000	7,5	15,28 - 205,61	345 - 360
RR6500 W	82800	155000	up to 3000	790000	1470000	24	15,70 - 215,98	510 - 540
RR10000 W	117600	190000	up to 2000	920000	1740000	31	16,42 - 171,92	730 - 780
♦ RR15000 W	172500	300000	up to 2000	1220000	2370000	46,5	16,42 - 171,92	980 - 1030
♦ RR20000 W	244600	400000	up to 2000	2600000	6300000	61	16,42 - 160,23	1350 - 1440
♦ RR25000 W	331500	600000	up to 1000	3100000	7650000	68	16,42 - 170,32	1840 - 1980

For info about brakes please refer to the technical catalogue 2000/Plus series.

### INPUT TYPE B



### INPUT TYPE C-D-E-G-H

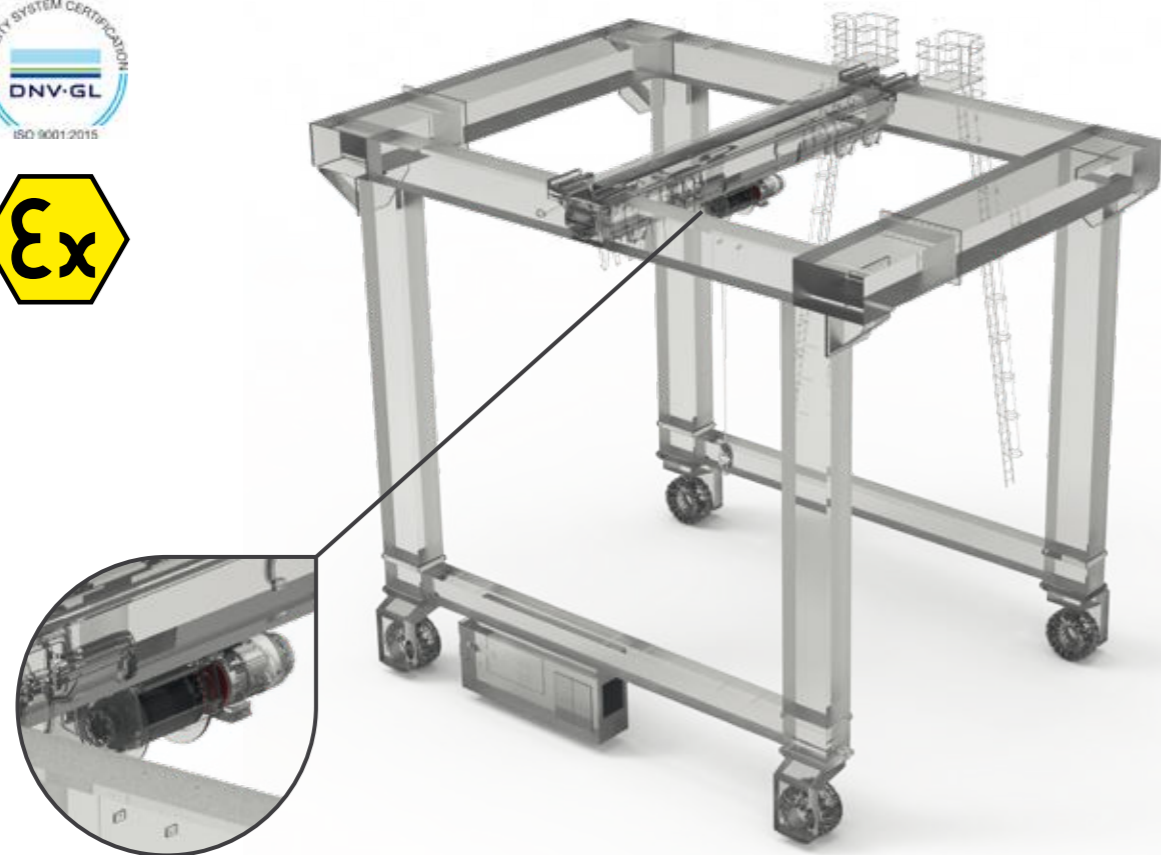




## WINCH DRIVES APPLICATIONS

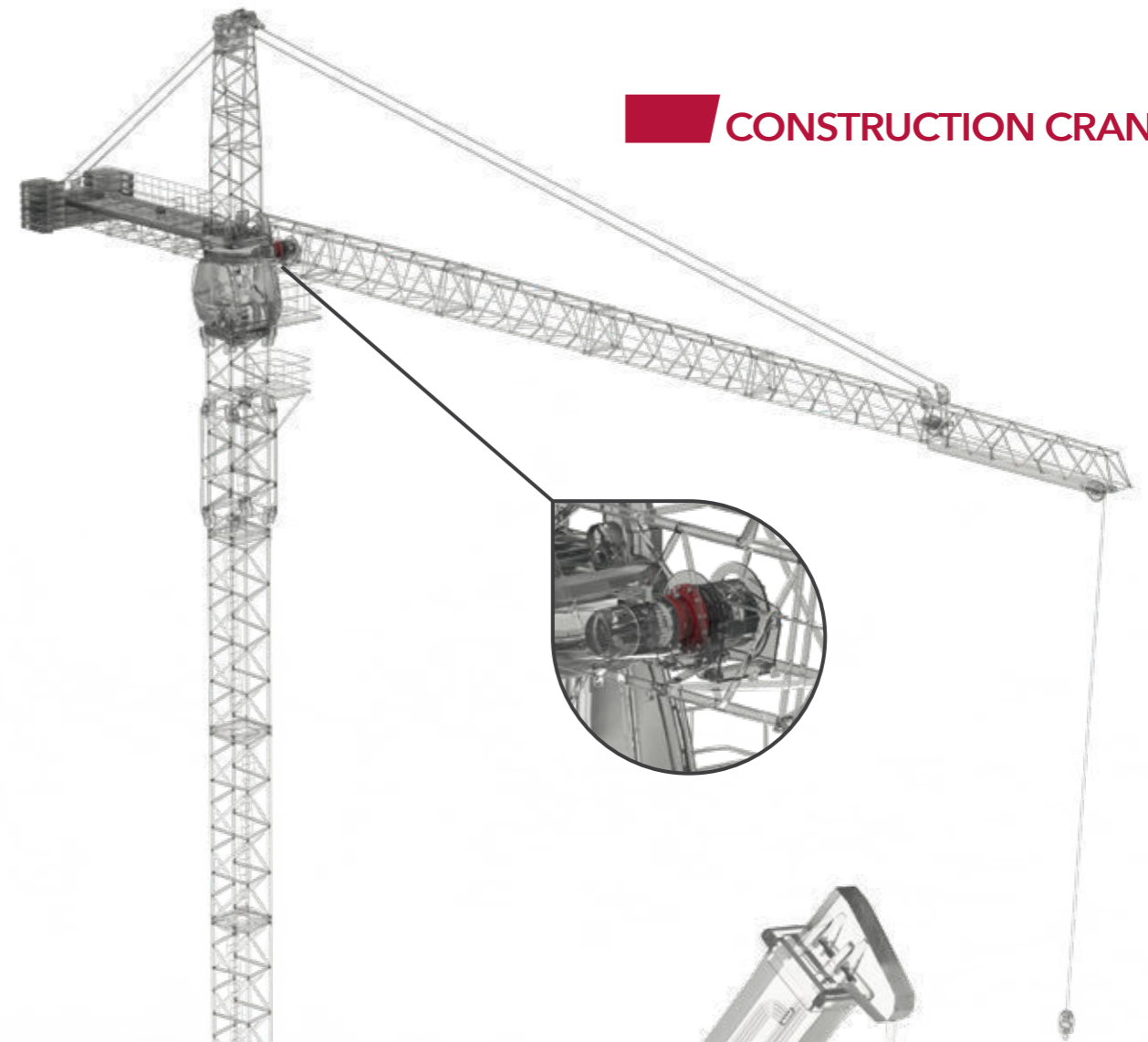
### KEY ADVANTAGES

- > **FLEXIBILITY** you can play with this gearboxes as you do with RR standard range.
- > **SINGLE ROLLER BEARING** avoiding HYPERSTATIC DESIGN.
- > **HIGH INPUT SPEED** compared to the wheel drive winch design.
- > **HIGHER GEARS TORQUE CAPACITY** than wheel drives winch design.
- > **EASIER COOLING & LUBRICATION** of **INPUT STAGE** (L3 W).
- > **FULL RR INPUT ACCESSORIES COMPATIBILITY.**
- > **WIDE RATIOS** range.
- > Exceptional **RADIAL LOAD.**
- > **BEVEL DESIGN** available, on request.
- > **CERTIFIED.**

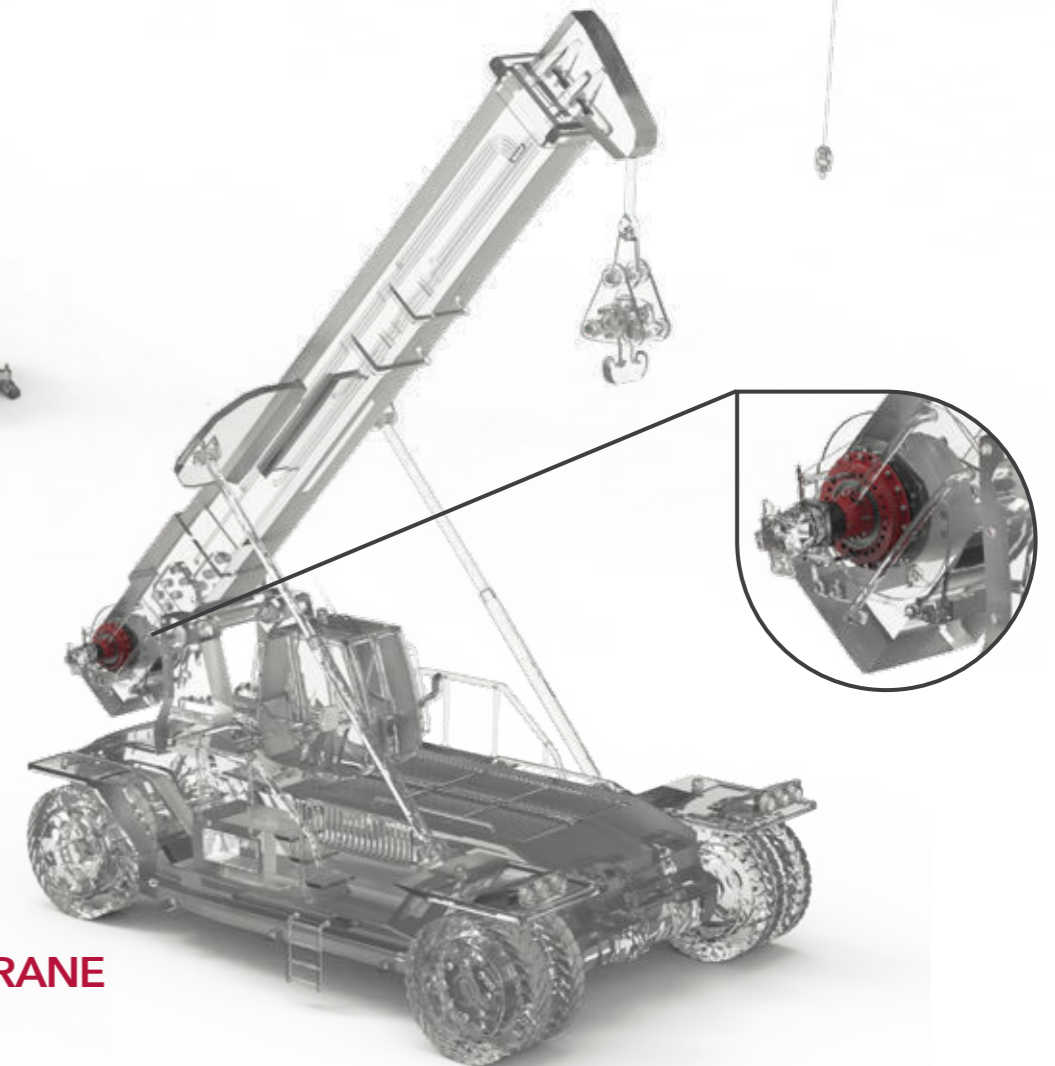


### OVERHEAD CRANE

### CONSTRUCTION CRANE



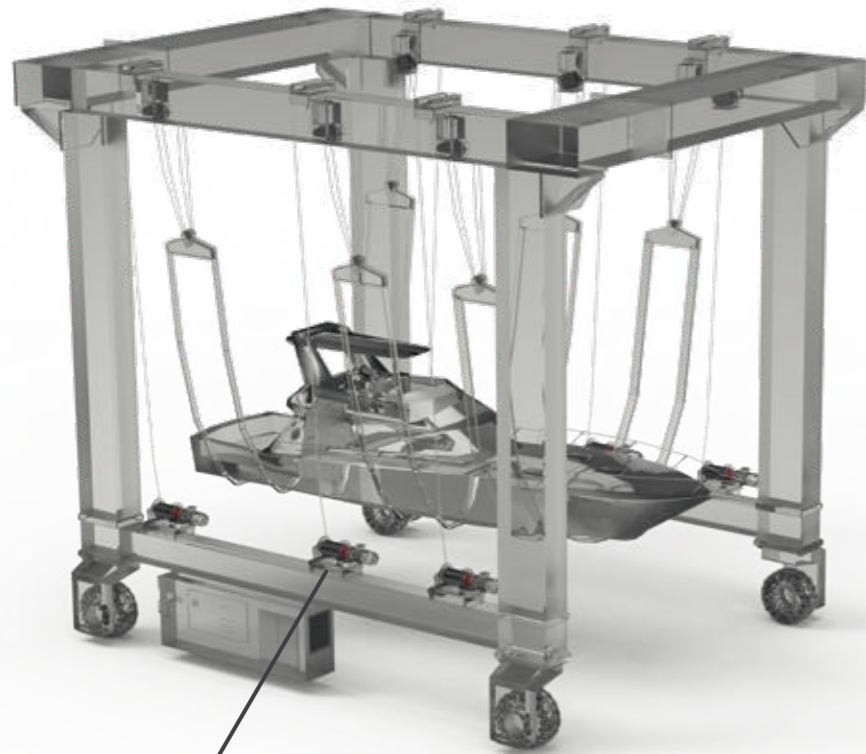
### MOBILE CRANE



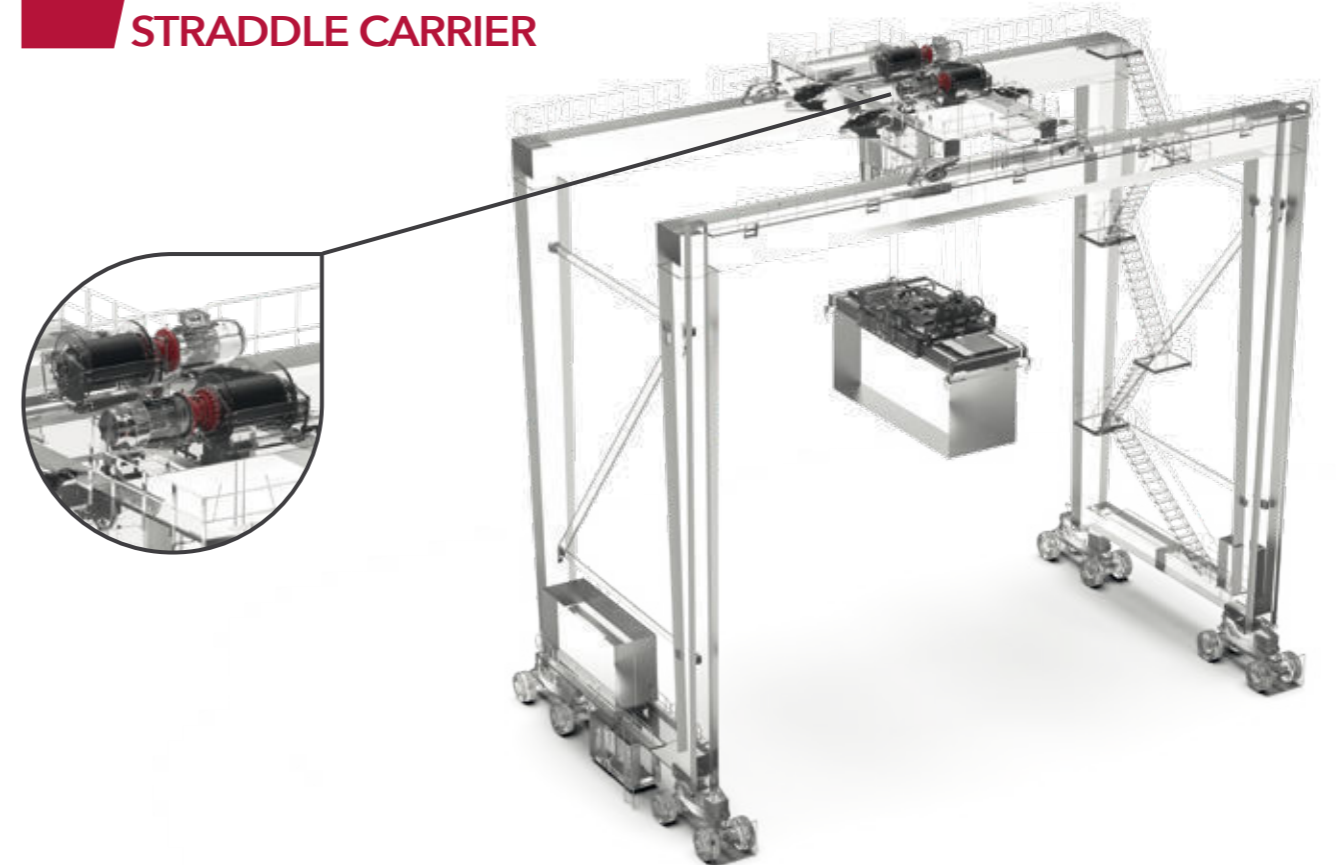
## WINCH

### APPLICATIONS

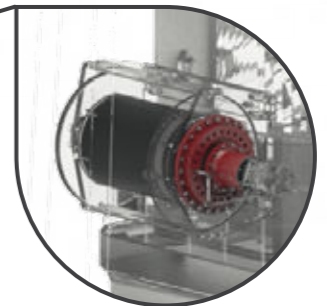
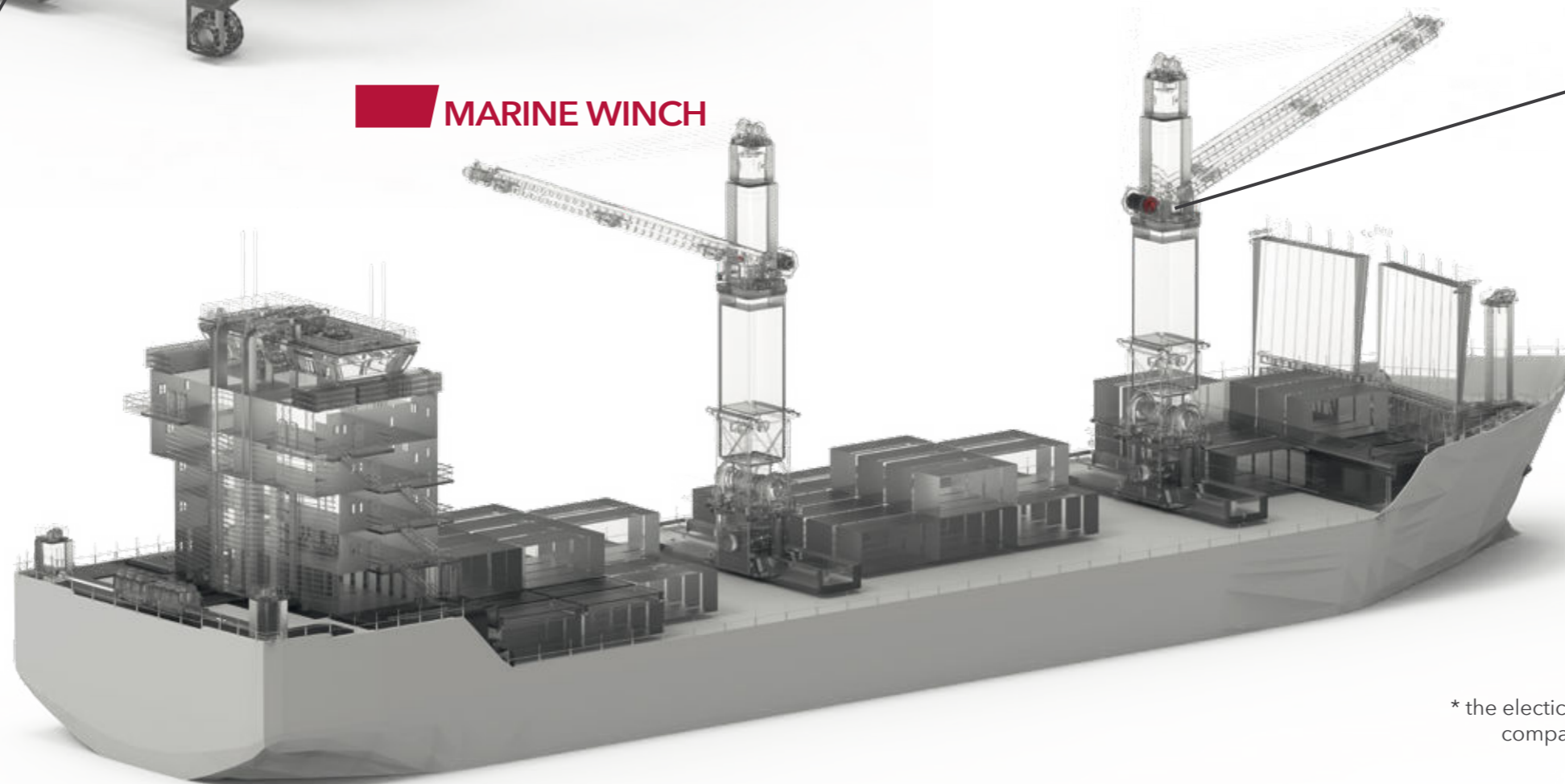
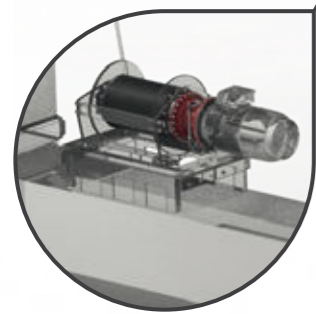
#### BOAT LIFT



#### STRADDLE CARRIER



#### MARINE WINCH



#### OTHER APPLICATIONS

Please contact Reggiana Riduttori Sales Department for any further information.



\* the electric solution reduce power consumption by around 30% compared to hydraulic one, offering the same performance quality and durability.  
More information available on Edrives brochure.

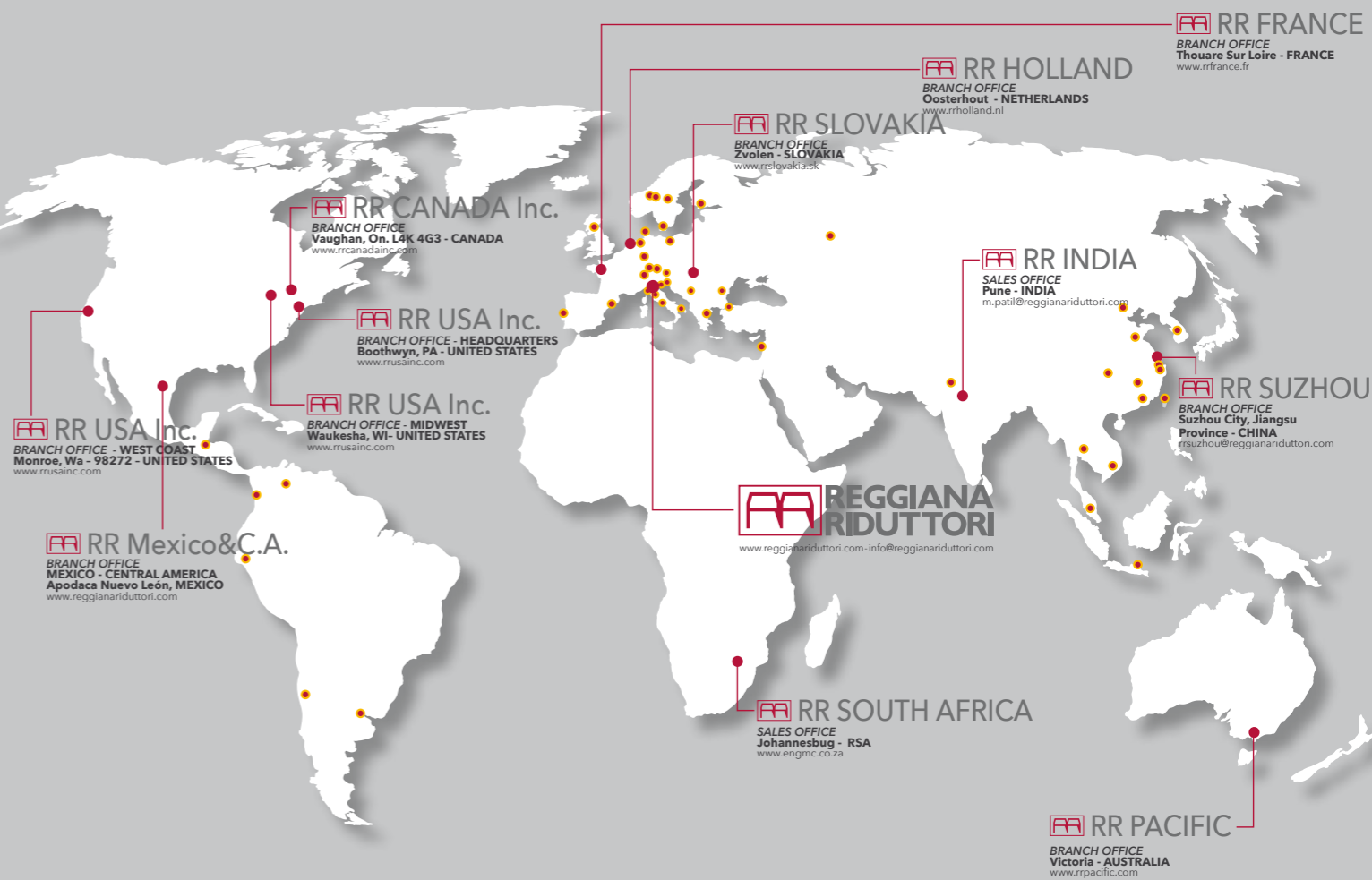




**GLOBAL**

**SALES NETWORK**

- MASTER DISTRIBUTOR
- BRANCH



[www.reggianariduttori.com](http://www.reggianariduttori.com)

**REGGIANA RIDUTTORI S.r.l.**

Via Martiri di Marzabotto,7  
42020 - S. Polo d'Enza (RE) - ITALY  
tel. +39.0522.259111 - fax +39.0522.874321  
info@reggianariduttori.com



A member of



 **REGGIANA  
RIDUTTORI**  
PLANETARY REDUCTION **GEARS**