



RR810 - RR1700
FOOTMOUNTED

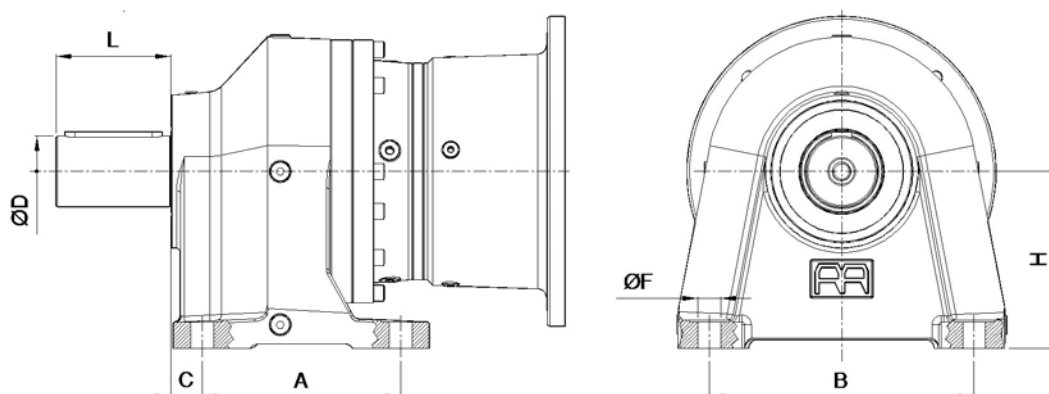
 **MADE IN ITALY**

STRENGTH AND TECHNICAL DATA

OF THE NEW FOOTMOUNTED SIZES

- Spheroidal cast iron casting
- Great thermal capacity + smooth surfaces design = Better heat dissipation
- Lifetime lubricated bearing with all mounting positions possible
- Top class components
- Wide range of accessories

	RATIO	T2 MAX (NM)	N1 MAX (RPM)	WEIGHT (KG)
RR810	standard from catalogue	14500 Nm	3500	depends on composition
RR1700	standard from catalogue	26500 Nm	3500	depends on composition



MODEL	D	L	H	AXB	C
RR810	80j6	130	200	225x300	35
RR1700	100j6	210	250	265x375	41

Please refer to the 2000 series catalog for footmounted sizes from 65 to 710 to complete the range. Footmounted are also available in the PLUS series, for which we invite you to contact the Sales Department. For any other technical and dimensional information concerning the two above-mentioned sizes, refer to the 2000 series catalog.