

ROTARY MANIFOLDS

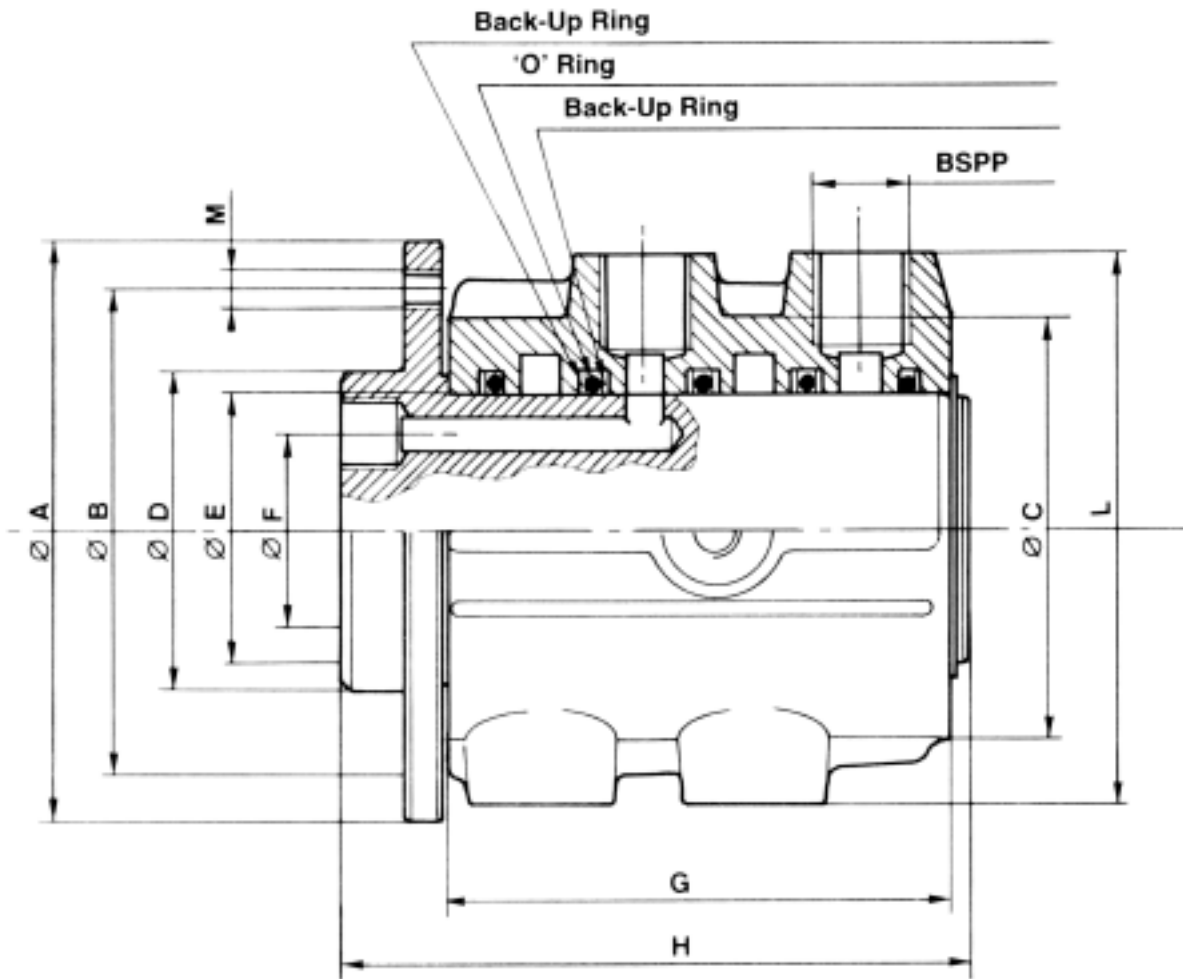


AGRICULTURAL TYPE ROTARY MANIFOLDS

CONTENTS

	Page
• Rotary Manifolds Series 60 _____	4
• Rotary Manifolds Series 85 _____	5
• Rotary Manifolds Series 92 _____	6
• Rotary Manifolds Series 100 _____	7
• Rotary Manifolds Series 125 _____	8
• Rotary Manifolds Series 1125 _____	9
• Rotary Manifolds Series 1250 _____	10
• Rotary Manifolds Series 1255 _____	11
• Rotary Manifolds Series 145 _____	12
• Rotary Manifolds Series 170 _____	13
• Rotary Manifolds Series 180 - Series 160 _____	14
• TECHNICAL FEATURES AND BENEFITS _____	17
• Warranty _____	18

R.R.USA can accept no responsibility for possible errors in catalogues, brochures and other printed material.
 R.R.USA reserves the right to alter its products without notice. This also applies to products already on order provided that such alterations can be made without subsequent changes being necessary in specifications already agreed.



Working Pressure 5000 PSI

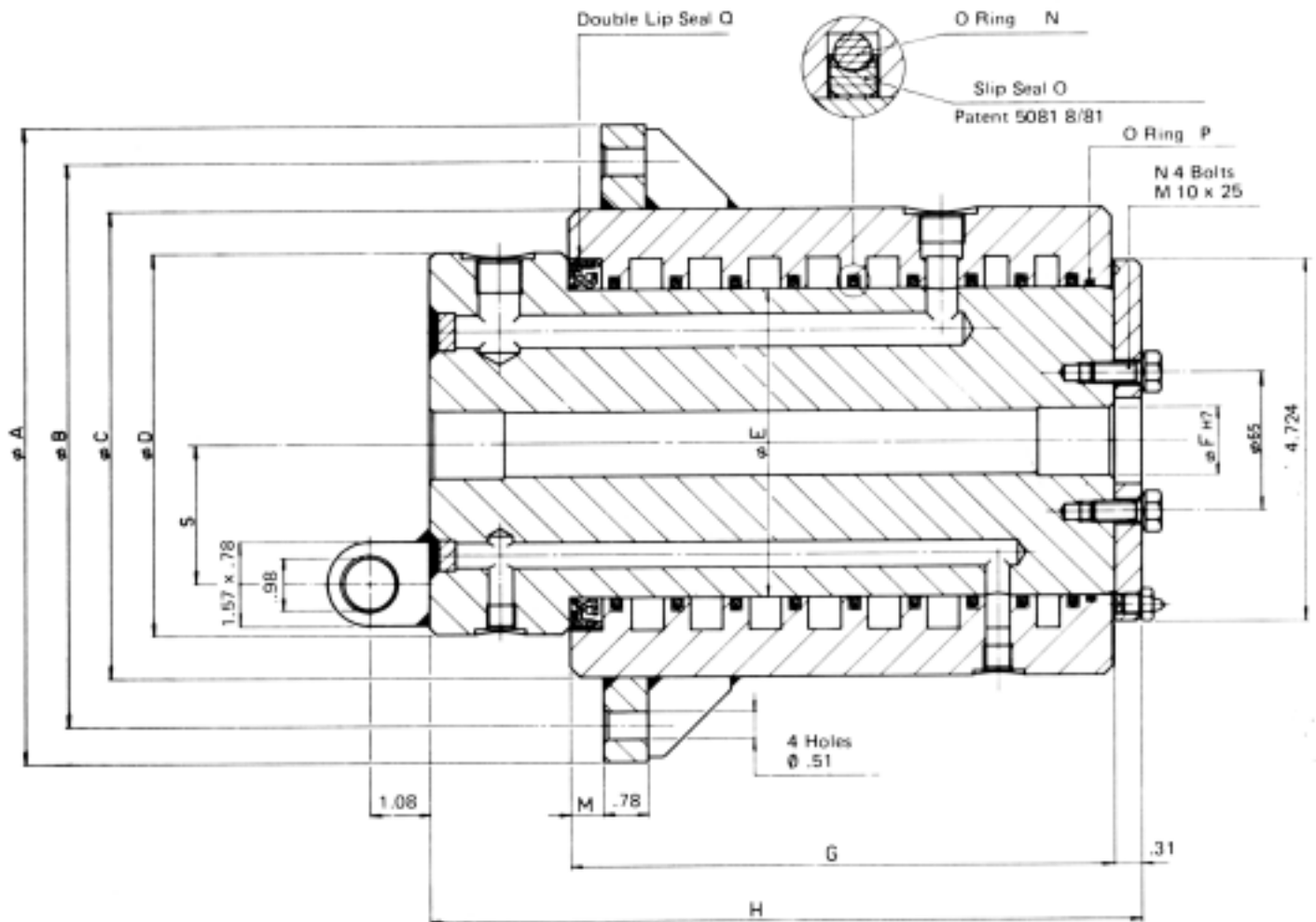
PORT SIZE & QTY.

MODEL	A	B	C	D	E	F	G	H	L	M	N	1/4"	1/2"	3/4"	1"
85/2	7.086	5.905	5.118	3.937	3.346	2.362	2.559	4.330	6.496	12MA	.210			2	
60/2	4.488	3.740	-	2.952	2.362	1.574	2.952	4.133	3.937	10MA	.138		2		
85/4	7.086	5.905	5.11	3.937	3.346	2.362	4.330	6.102	6.496	12MA	.210			4	
60/4	4.488	3.740	-	2.952	2.362	1.574	4.842	6.417	3.937	10MA	.138	2	2		
100/5	7.086	5.905	5.708	4.724	3.937	2.952	7.204	8.661	7.086	12MA	.210		2	2	1
60/6	4.488	3.740	-	2.952	2.362	1.732	4.330	5.748	3.937	10MA	.138	6			
100/6	7.086	5.905	5.708	4.724	3.937	2.952	8.267	9.645	7.086	12MA	.210		2	4	
60/7	4.488	3.740	-	2.952	2.362	1.732	4.842	6.417	3.937	10MA	.138	7			
70/8	4.921	4.133	-	3.149	2.755	-	6.102	8.267	3.937	10MA	.138	8			
70/10	4.921	4.133	-	3.149	2.755	-	7.086	9.448	3.937	10MA	.138	10			
70/11	4.921	4.133	-	3.149	2.755	-	7.283	9.645	3.937	10MA	.138	11			

OPTIONAL PORT SIZES UPON REQUEST - UP TO 30 ELECTRICAL CONNECTIONS ALSO AVAILABLE

ALL PORTS BSPP: PORT ADAPTOR BSPP/JIC 37° AVAILABLE

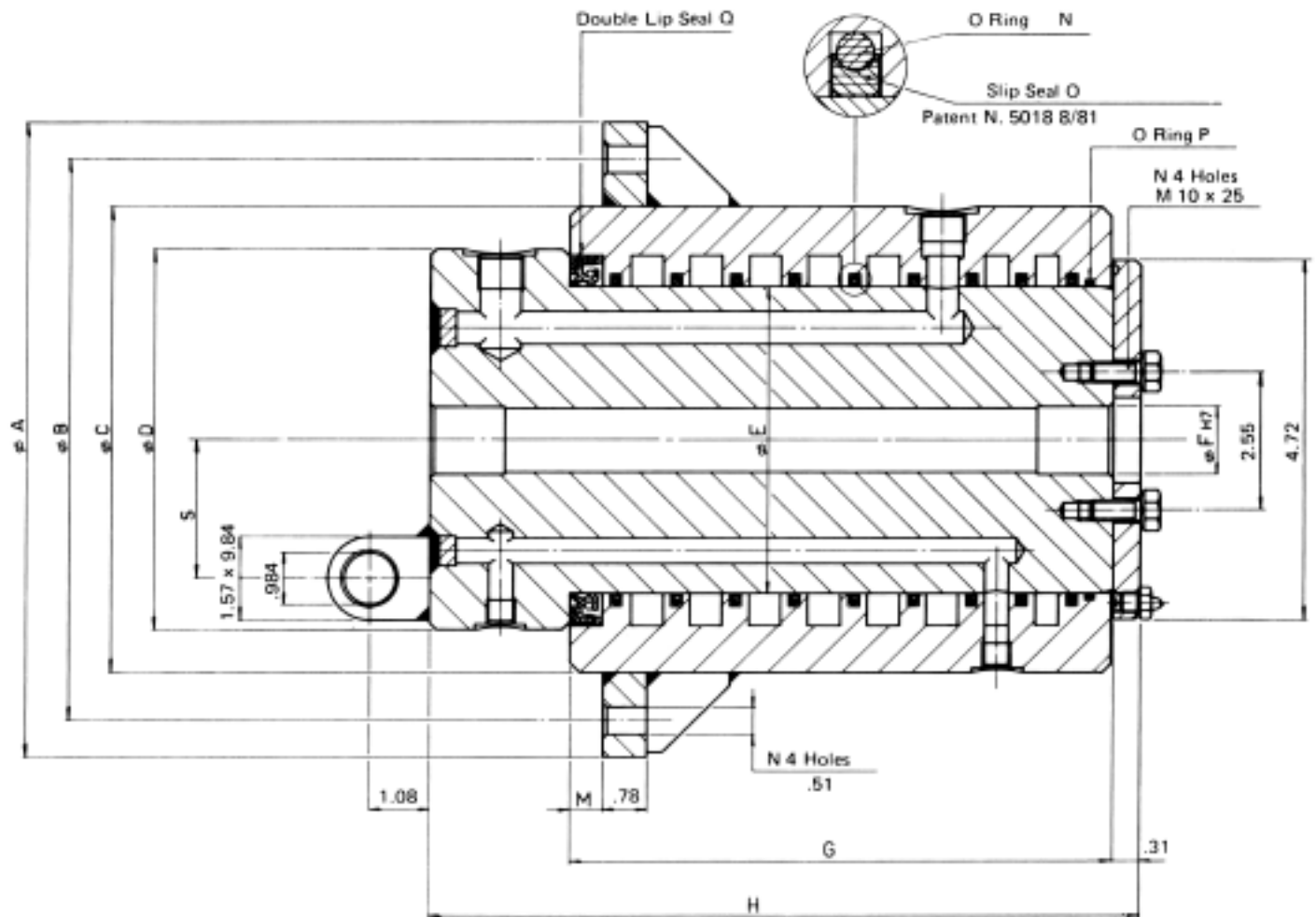
AVAILABLE WITH SAE 'O' RING BOSS



Working Pressure 6000 PSI

MODEL	A	B	C	D	E	F	G	H	M	N	O	P	Q	S	PORT SIZES					
															1/4"	3/8"	1/2"	3/4"	1"	1 1/4"
85/2	9.44	7.87	5.82	3.93	3.34	.78	3.30	4.80	.59	4350	3.34	4337	85-110 12	1.49				2		
85/4	9.44	7.87	5.82	3.93	3.34	.78	4.96	6.45	.59	4350	3.34	4337	85-110 12	1.49			2	2		
85/6	9.44	7.87	5.82	4.72	3.34	.78	6.81	9.25	.59	4350	3.34	4337	85-110 12	1.49			4	2		
85/8A	9.44	7.87	5.82	4.72	3.34	.78	8.11	10.62	.59	4350	3.34	4337	85-110 12	1.49		8				
85/8B	9.44	7.87	5.82	4.72	3.34	.78	8.46	10.94	.59	4350	3.34	4337	85-110 12	1.49			6	2		
85/10	9.44	7.87	5.82	4.72	3.34	.78	10.03	12.48	.59	4350	3.34	4337	85-110 12	1.49		4	4	2		

OPTIONAL PORT SIZES UPON REQUEST – UP TO 30 ELECTRICAL CONNECTIONS ALSO AVAILABLE
 ALL PORTS BSPP; PORT ADAPTOR BSPP/JIC 37° AVAILABLE
 AVAILABLE WITH SAE 'O' RING BOSS

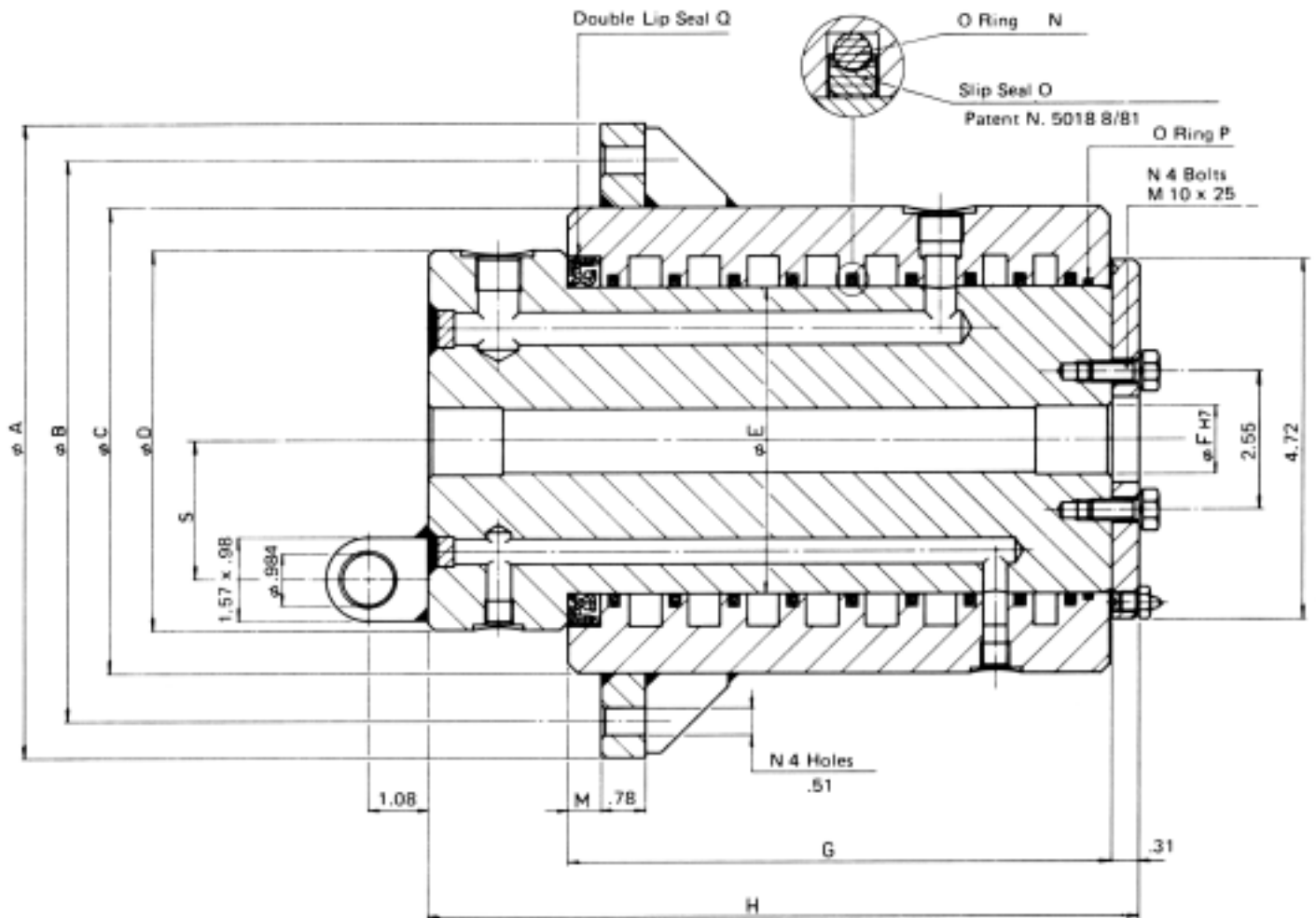


Working Pressure 6000 PSI

MODEL																PORT SIZES					
	A	B	C	D	E	F	G	H	M	N	O	P	Q	S	1/4"	3/8"	1/2"	3/4"	1"	1 1/4"	
92/5	9.44	7.87	6.14	5.11	3.62	1.18	6.22	8.70	.59	43.75	3.62	4362	90-110 12	1.77			1	4			
92/7	9.44	7.87	6.14	5.11	3.62	1.18	7.55	10.03	.59	43.75	3.62	4362	90-110 12	1.77		1	4	2			
92/8	9.44	7.87	6.14	5.11	3.62	1.18	8.85	11.49	.59	43.75	3.62	4362	90-110 12	1.77		2	4	2			
92/9	9.44	7.87	6.14	5.11	3.62	1.18	9.21	11.49	.59	43.75	3.62	4362	90-110 12	1.77		2	5	2			
92/11	9.44	7.87	6.14	5.11	3.62	1.18	10.43	13.38	.59	43.75	3.62	4362	90-110 12	1.77		4	5	2			
92/12	9.44	7.87	6.14	5.11	3.62	1.18	11.29	14.17	.59	43.75	3.62	4362	90-110 12	1.77	4	4	2	2			
92/14	9.44	7.87	6.14	4.72	3.62	-	11.77	14.76	.59	43.75	3.62	4362	90-110 12	1.77	12		2				
92/18	9.44	7.87	6.14	4.72	3.62	-	14.56	17.55	.59	43.75	3.62	4362	90-110 12	1.77	16		2				

OPTIONAL PORT SIZES UPON REQUEST - UP TO 30 ELECTRICAL CONNECTIONS ALSO AVAILABLE
 ALL PORTS BSPP. PORT ADAPTOR BSPP/JIC 37° AVAILABLE
 AVAILABLE WITH SAE 'O' RING BOSS

SERIES 92



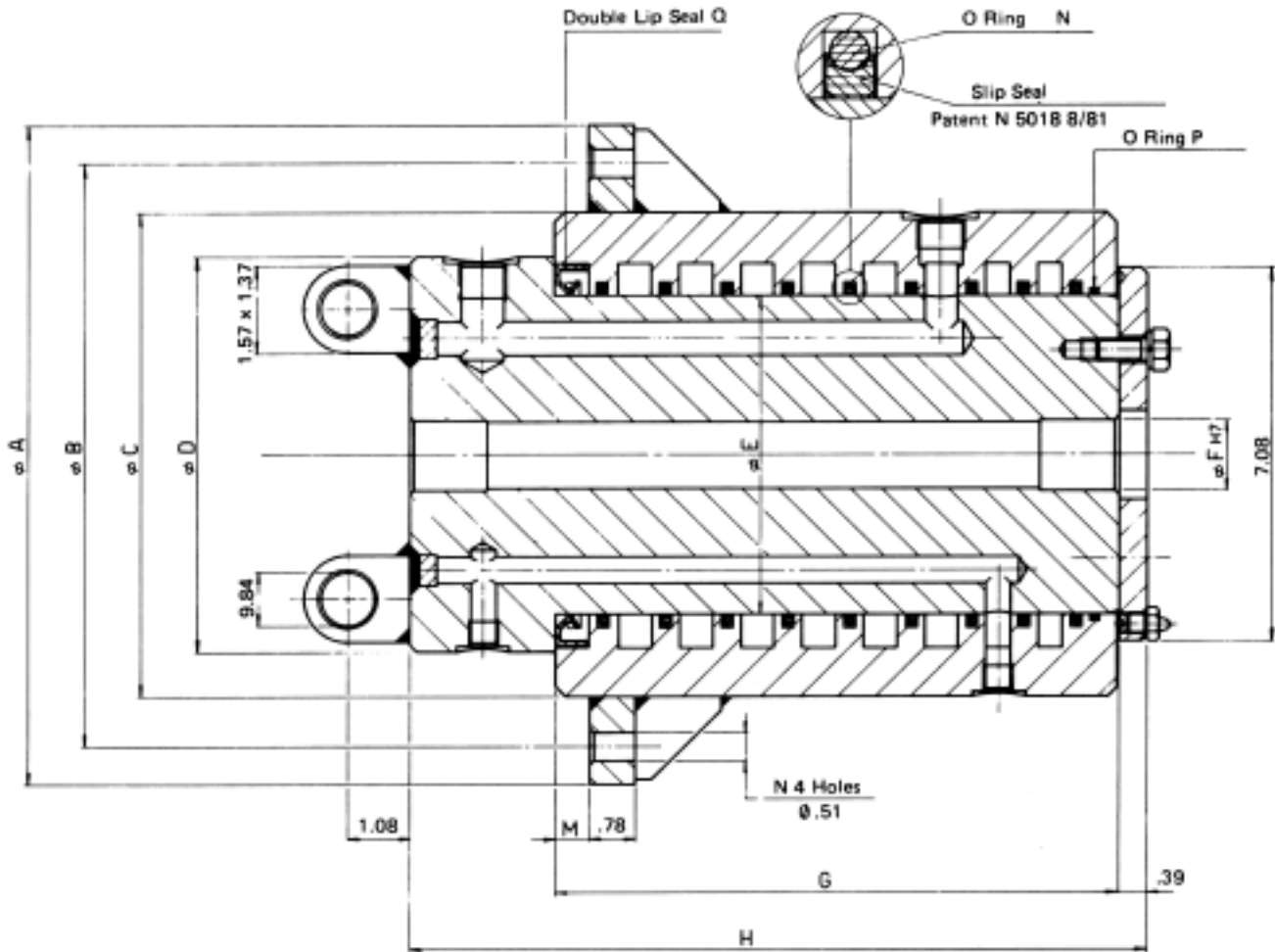
Working Pressure 6000 PSI

MODEL	PORT SIZES																			
	A	B	C	D	E	F	G	H	M	N	O	P	Q	S	1/4"	3/8"	1/2"	3/4"	1"	1 1/4"
100/6	9.44	7.87	6.49	5.90	3.93	1.18	8.58	11.69	.59	4412	3.93	4400	100-120 12	1.96				2	4	
100/8	9.44	7.87	6.49	5.90	3.93	1.18	11.65	14.72	.59	4412	3.93	4400	100-120 12	1.96				4	4	
100/10	9.44	7.87	6.49	5.90	3.93	1.18	12.04	15.11	.59	4412	3.93	4400	100-120 12	1.96			6	2	2	
100/12	9.44	7.87	6.49	5.90	3.93	1.18	11.81	14.96	.59	4412	3.93	4400	100-120 12	1.96			10	2		
100/14	9.44	7.87	6.49	5.90	3.93	.78	14.37	17.44	.59	4412	3.93	4400	100-120 12	1.96	4		8		2	
100/16A	9.44	7.87	6.49	5.90	3.93	.78	14.96	18.03	.59	4412	3.93	4400	100-120 12	1.96	10		4		2	
100/16B	9.44	7.87	6.49	5.90	3.93	.78	14.48	17.95	.59	4412	3.93	4400	100-120 12	1.96	2		14			
100/18	9.44	7.87	6.49	5.90	3.93	.78	15.35	18.42	.59	4412	3.93	4400	100-120 12	1.96	14		4			
100/20	9.44	7.87	6.49	5.90	3.93	.78	16.53	19.60	.59	4412	3.93	4400	100-120 12	1.96	16		2	2		

OPTIONAL PORT SIZES UPON REQUEST - UP TO 30 ELECTRICAL CONNECTIONS ALSO AVAILABLE

ALL PORTS BSPP: PORT ADAPTOR BSPP/JIC 37° AVAILABLE

AVAILABLE WITH SAE 'O' RING BOSS

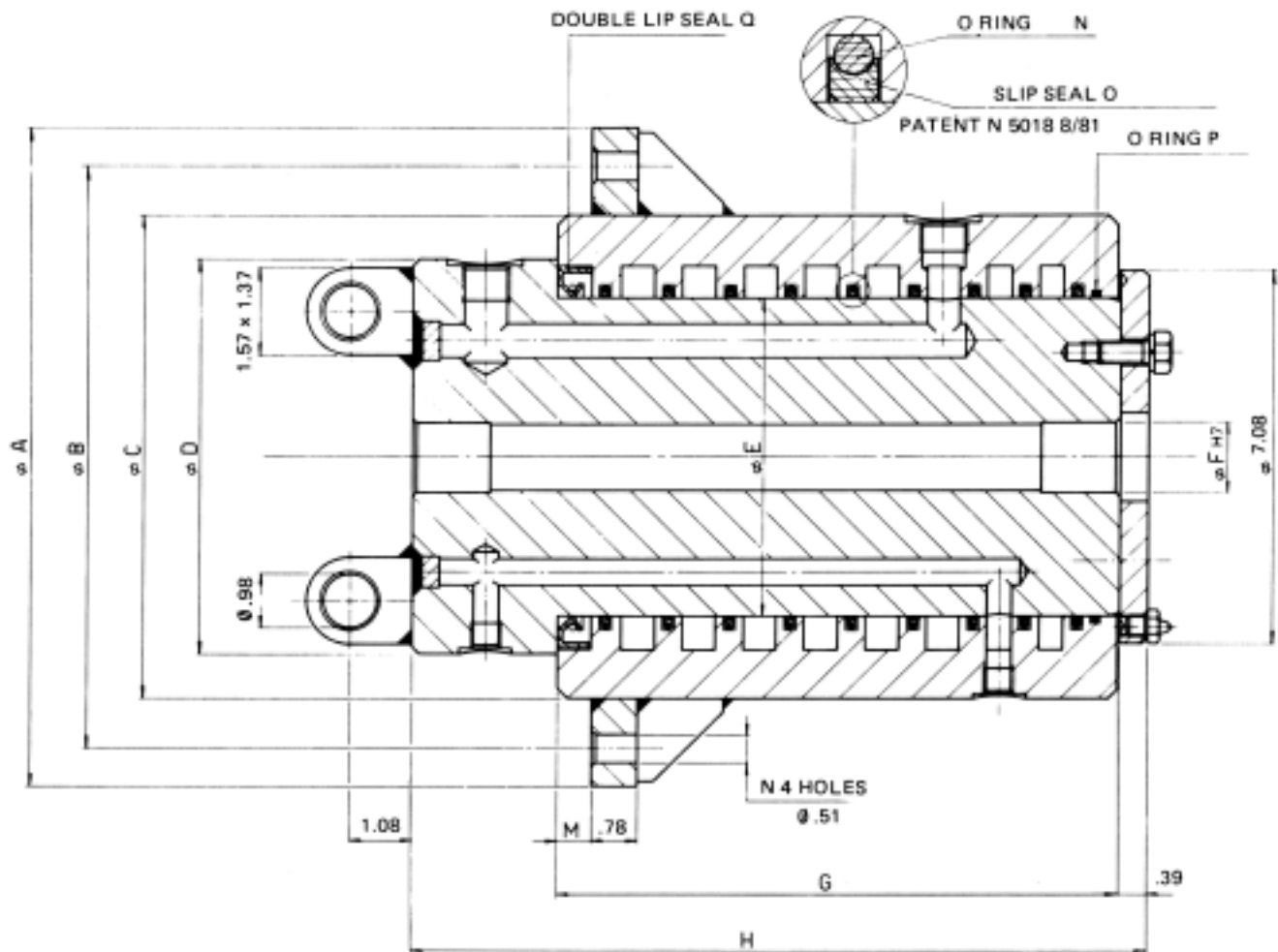


Working Pressure 6000 PSI

MODEL														PORT SIZES					
	A	B	C	D	E	F	G	H	M	N	O	P	Q	1/4"	3/8"	1/2"	3/4"	1"	1 1/4"
125/5	10.62	9.44	7.48	5.90	4.92	1.18	8.03	11.22	.59	4512	4.92	4500	125-150 12				1	2	2
125/6	10.62	9.44	7.48	5.90	4.92	1.18	8.77	11.81	.59	4512	4.92	4500	125-150 12					6	
125/7	10.62	9.44	7.48	6.69	4.92	1.18	9.13	12.36	.59	4512	4.92	4500	125-150 12			3		4	
125/9	10.62	9.44	7.48	6.69	4.92	1.18	10.31	13.38	.59	4512	4.92	4500	125-150 12			3	4	2	
125/11	10.62	9.44	7.48	6.69	4.92	1.18	11.81	16.14	.59	4512	4.92	4500	125-150 12			5	4	2	
125/12	10.62	9.44	7.48	7.08	4.92	1.18	12.04	15.59	.59	4512	4.92	4500	125-150 12			10	2		
125/13	10.62	9.44	7.48	6.69	4.92	1.18	13.62	18.03	.59	4512	4.92	4500	125-150 12			7	4	2	
125/14	10.62	9.44	7.48	6.69	4.92	1.18	14.72	18.30	.59	4512	4.92	4500	125-150 12	4		6	2	2	
125/15	10.62	9.44	7.48	6.69	4.92	1.18	16.85	20.66	.59	4512	4.92	4500	125-150 12			6	7	2	
125/16	10.62	9.44	7.48	6.69	4.92	1.18	17.32	21.65	.59	4512	4.92	4500	125-150 12	4		4	6	2	
125/18	10.62	9.44	7.48	7.08	4.92	1.18	17.12	20.66	.59	4512	4.92	4500	125-150 12	2		14	2		
125/22	10.62	9.44	7.48	7.08	4.92	1.96	17.83	20.66	.59	4512	4.92	4500	125-150 12	19				3	
125/24	10.62	9.44	7.48	7.08	4.92	.98	18.58	22.16	.59	4512	4.92	4500	125-150 12	2		20	2		

OPTIONAL PORT SIZES UPON REQUEST - UP TO 30 ELECTRICAL CONNECTIONS ALSO AVAILABLE
 ALL PORTS BSPP; PORT ADAPTOR BSPP/JIC 37" AVAILABLE
 AVAILABLE WITH SAE 'O' RING BOSS

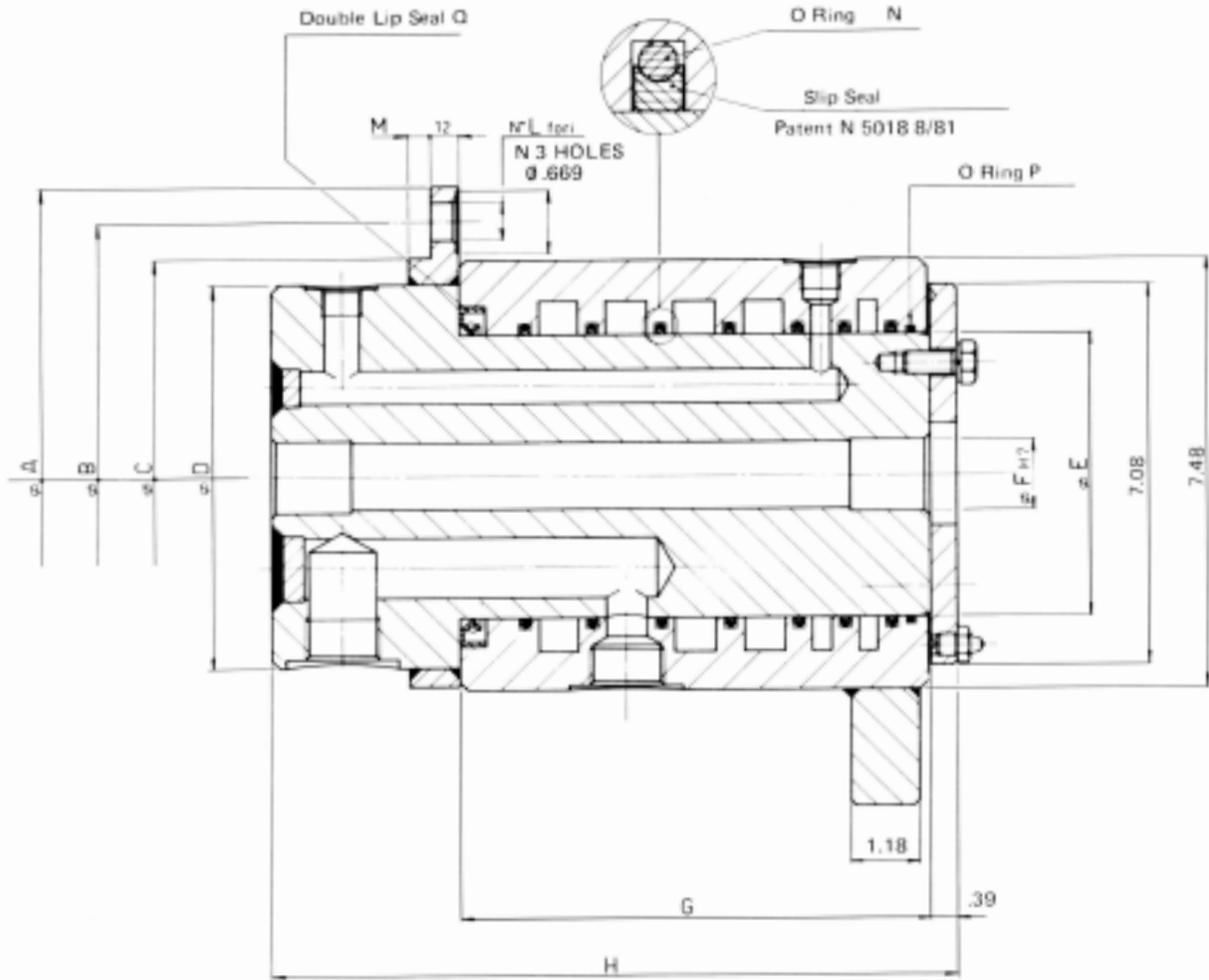
SERIES 125



Working Pressure 6000 PSI

MODEL														PORT SIZES					
	A	B	C	D	E	F	G	H	M	N	O	P	Q	1/4"	3/8"	1/2"	3/4"	1"	1 1/4"
1125/5	10.62	9.44	7.48	5.90	4.92	1.18	7.95	11.49	.59	4512	4.92	4500	125-150 12				1	2	2
1125/6	10.62	9.44	7.48	5.90	4.92	1.18	8.93	12.48	.59	4512	4.92	4500	125-150 12				2	2	2
1125/7	10.62	9.44	7.48	6.69	4.92	1.18	9.88	13.42	.59	4512	4.92	4500	125-150 12				3	2	2
1125/9	10.62	9.44	7.48	6.69	4.92	1.18	11.41	14.96	.59	4512	4.92	4500	125-150 12			2	3	2	2
1125/11	10.62	9.44	7.48	6.69	4.92	1.18	13.07	16.65	.59	4512	4.92	4500	125-150 12			4	3	2	2
1125/12	10.62	9.44	7.48	6.69	4.92	1.18	13.89	17.48	.59	4512	4.92	4500	125-150 12			5	3	2	2

OPTIONAL PORT SIZES UPON REQUEST - UP TO 30 ELECTRICAL CONNECTIONS ALSO AVAILABLE
 ALL PORTS BSPP: PORT ADAPTOR BSPP/JIC 37" AVAILABLE
 AVAILABLE WITH SAE 'O' RING BOSS

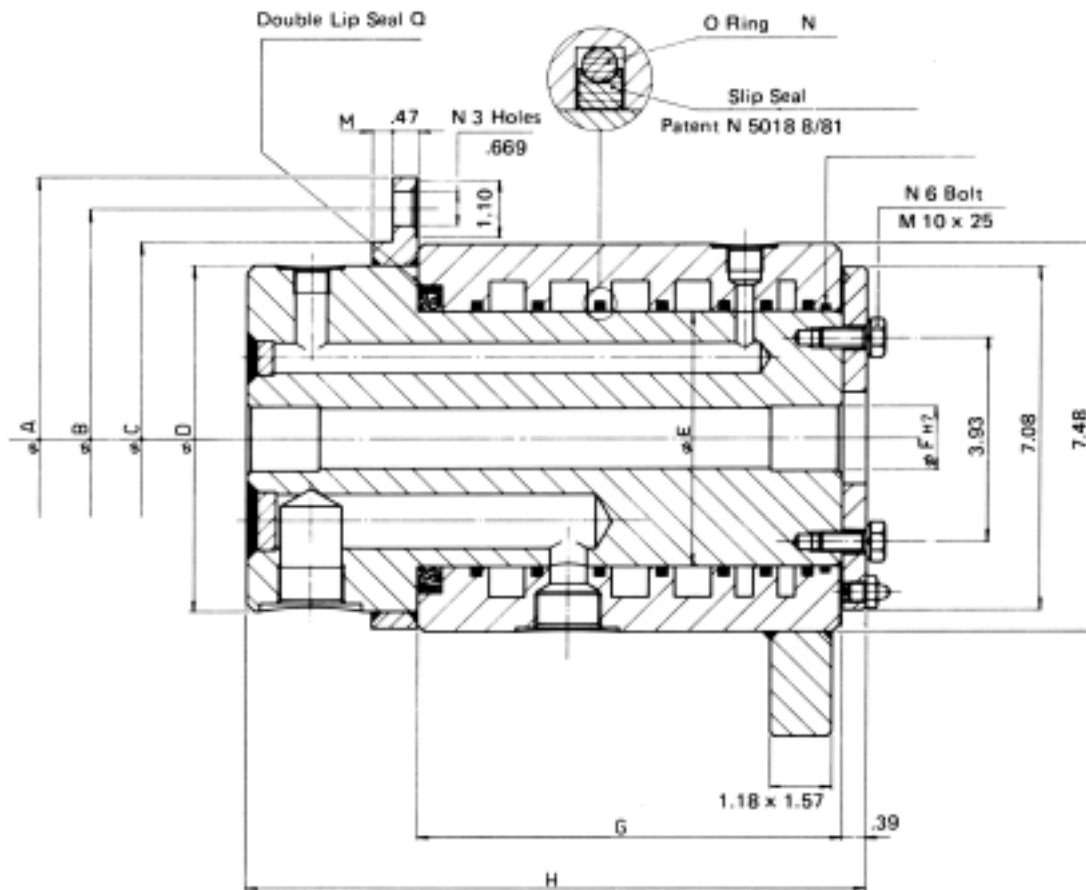


Working Pressure 6000 PSI

MODEL														PORT SIZES					
	A	B	C	D	E	F	G	H	M	N	O	P	Q	1/4"	3/8"	1/2"	3/4"	1"	1 1/4"
1250/5	10.08	8.85	7.67	6.69	4.92	1.18	7.67	11.29	.39	4512	4.92	4500	125-150 12					5	
1250/6	10.08	8.85	7.67	6.69	4.92	1.18	8.11	11.73	.39	4512	4.92	4500	125-150 12	1	1		4		
1250/7	10.08	8.85	7.67	6.69	4.92	1.18	9.37	12.99	.39	4512	4.92	4500	125-150 12		2		5		
1250/8	10.08	8.85	7.67	6.69	4.92	1.18	10.07	13.54	.39	4512	4.92	4500	125-150 12		3		5		
1250/9	10.08	8.85	7.67	6.69	4.92	1.18	10.86	14.48	.39	4512	4.92	4500	125-150 12	2	2		5		
1250/11	10.08	8.85	7.67	6.69	4.92	1.18	12.36	15.82	.39	4512	4.92	4500	125-150 12	4	2		5		
1250/12	10.08	8.85	7.67	6.69	4.92	1.18	13.11	16.65	.39	4512	4.92	4500	125-150 12	5	2		5		

OPTIONAL PORT SIZES UPON REQUEST - UP TO 30 ELECTRICAL CONNECTIONS ALSO AVAILABLE
 ALL PORTS BSPP: PORT ADAPTOR BSPP/JIC 37° AVAILABLE
 AVAILABLE WITH SAE 'O' RING BOSS

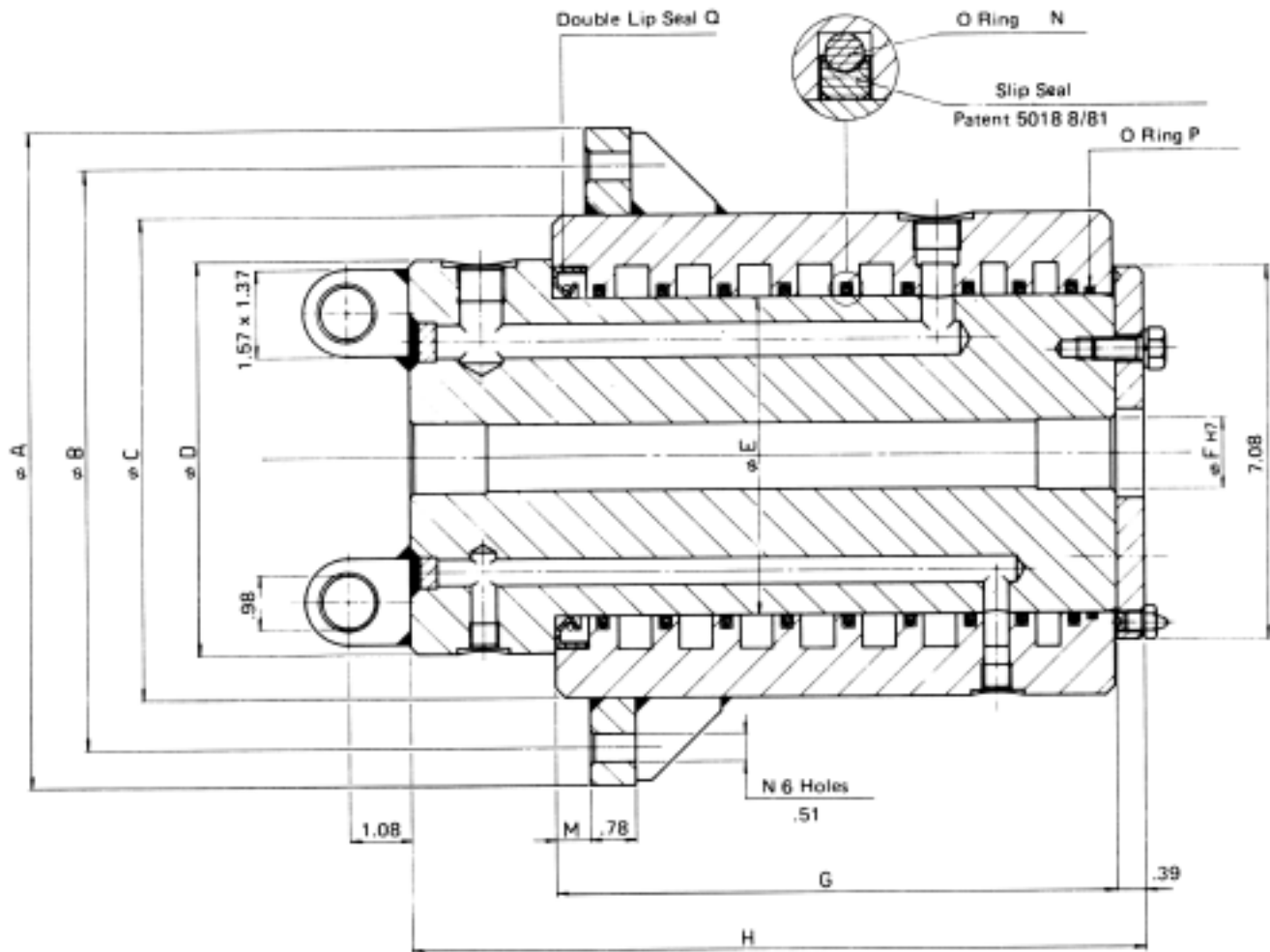
SERIES 1250



Working Pressure 6000 PSI

MODEL	PORT SIZES																		
	A	B	C	D	E	F	G	H	M	N	O	P	Q	1/4"	3/8"	1/2"	3/4"	1"	1 1/4"
1255/5	9.84	8.85	7.28	6.69	4.92	1.18	7.95	12.36	.39	4512	4.92	4500	125-150 12				1	2	2
1255/6	9.84	8.85	7.67	6.69	4.92	1.18	8.93	13.34	.39	4512	4.92	4500	125-150 12				2	2	2
1255/7	9.84	8.85	7.67	6.69	4.92	1.18	9.88	14.29	.39	4512	4.92	4500	125-150 12				3	2	2
1255/9	9.84	8.85	7.67	6.69	4.92	1.18	11.41	15.82	.39	4512	4.92	4500	125-150 12			2	3	2	2
1255/11	9.84	8.85	7.67	6.69	4.92	1.18	13.07	17.51	.39	4512	4.92	4500	125-150 12			4	3	2	2
1255/12	9.84	8.85	7.67	6.69	4.92	1.18	13.89	18.34	.39	4512	4.92	4500	125-150 12			5	3	2	2
1250/12	10.08	8.85	7.67	6.69	4.92	1.18	13.11	16.65	.39	4512	4.92	4500	125-150 12	5	2		5		

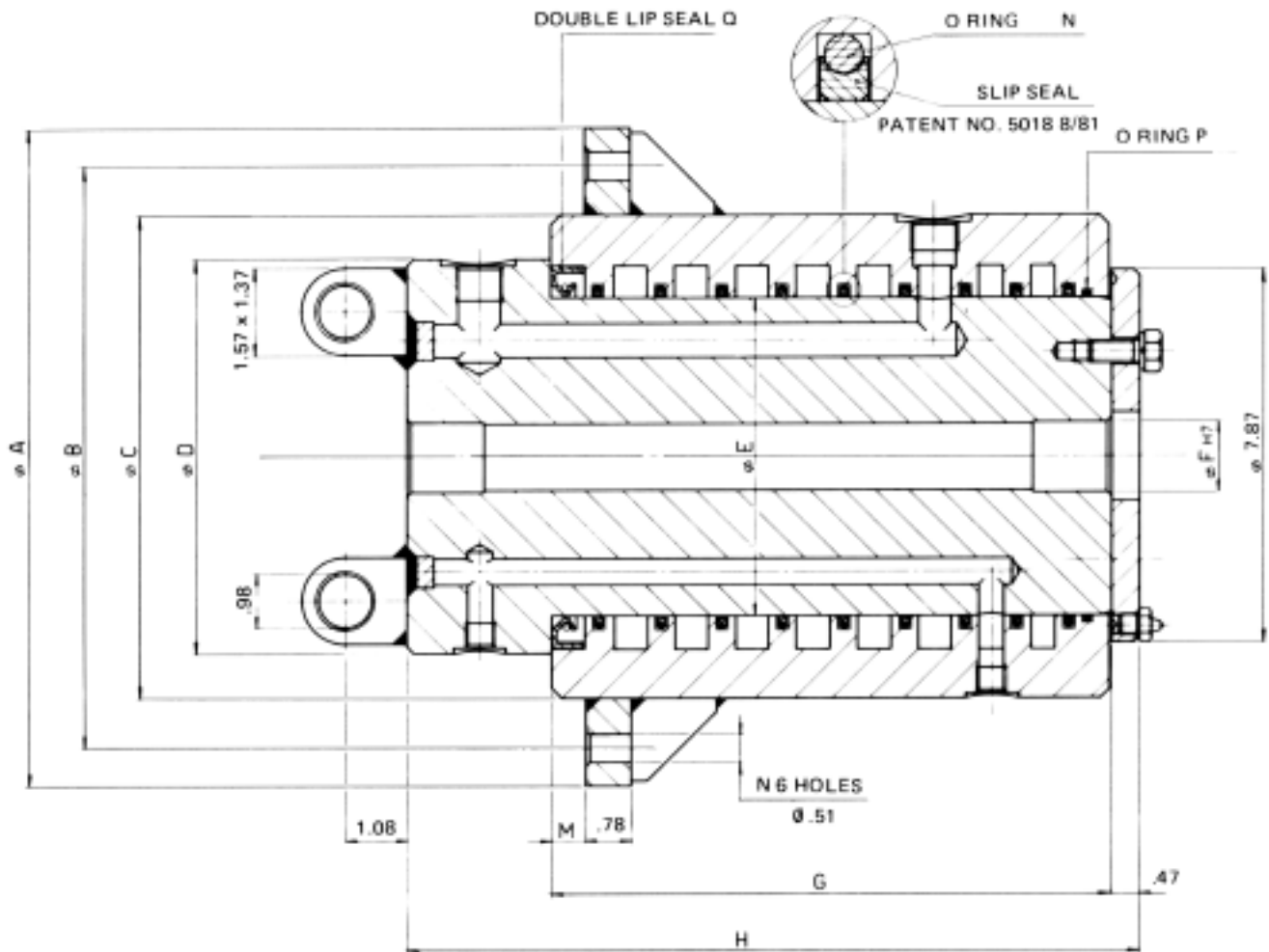
OPTIONAL PORT SIZES UPON REQUEST - UP TO 30 ELECTRICAL CONNECTIONS ALSO AVAILABLE
 ALL PORTS BSPP: PORT ADAPTOR BSPP/JIC 37° AVAILABLE
 AVAILABLE WITH SAE 'O' RING BOSS



Working Pressure 6000 PSI

MODEL														PORT SIZES					
	A	B	C	D	E	F	G	H	M	N	O	P	Q	1/4"	3/8"	1/2"	3/4"	1"	1 1/4"
145/7	11.61	10.43	8.58	7.08	5.70	1.96	9.60	14.01	.59	4587	5.70	4575	145-175 15				3	2	2
145/9	11.61	10.43	8.58	7.08	5.70	1.96	11.41	15.74	.59	4587	5.70	4575	145-175 15			2	2	3	2
145/9	11.61	10.43	8.58	7.08	5.70	1.96	11.02	15.35	.59	4587	5.70	4575	145-175 15			3	2	2	2
145/11A	11.61	10.43	8.58	7.87	5.70	1.96	14.17	18.58	.59	4587	5.70	4575	145-175 15				2	9	
145/118	11.61	10.43	8.58	7.87	5.70	1.96	12.59	16.92	.59	4587	5.70	4575	145-175 15			5	2	2	2
145/12	11.61	10.43	8.58	7.87	5.70	1.96	14.96	18.11	.59	4587	5.70	4575	145-175 15			1	4	5	2
145/13	11.61	10.43	8.58	7.87	5.70	1.96	14.72	19.09	.59	4587	5.70	4575	145-175 15			6	3	2	2
145/15	11.61	10.43	8.58	7.87	5.70	1.96	17.08	21.45	.59	4587	5.70	4575	145-175 15			6	3	4	2

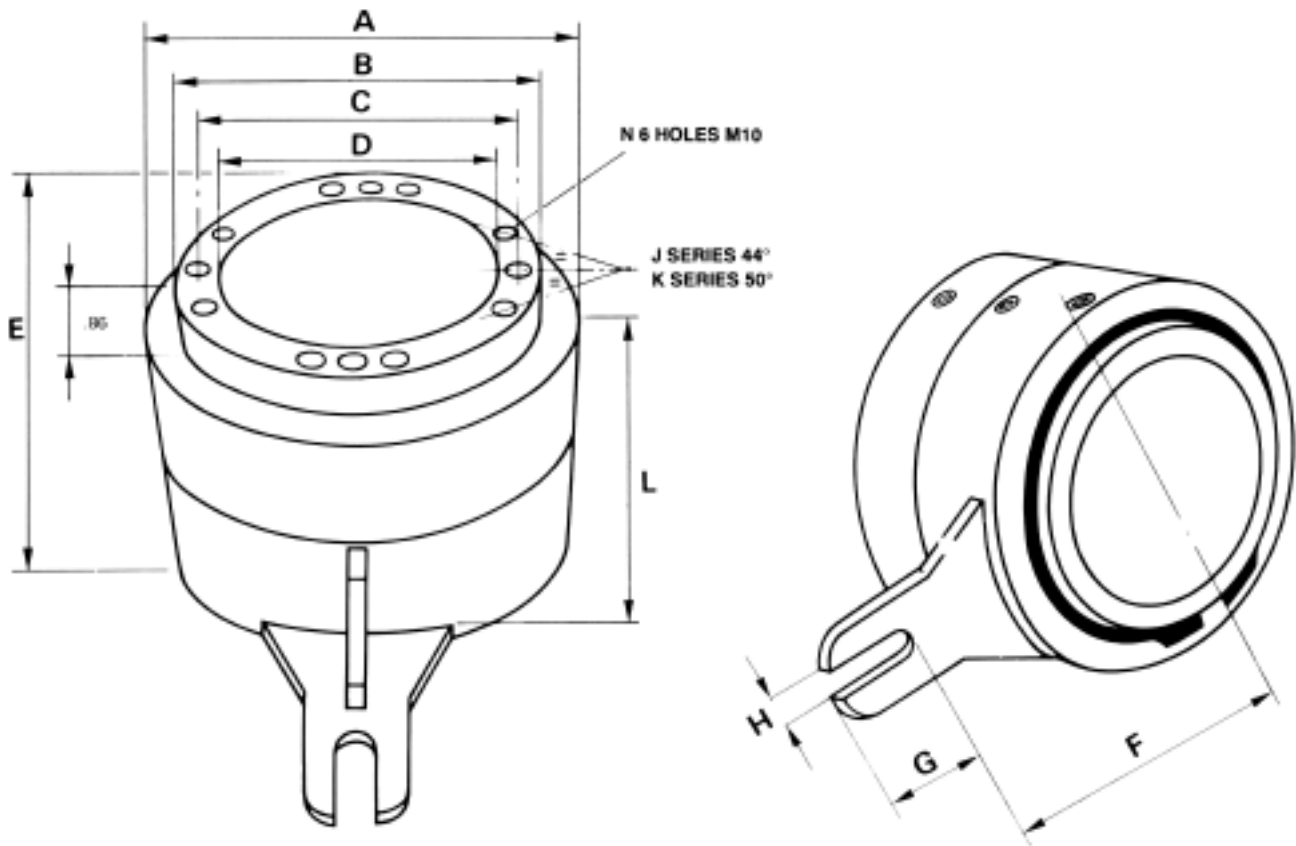
OPTIONAL PORT SIZES UPON REQUEST – UP TO 30 ELECTRICAL CONNECTIONS ALSO AVAILABLE
 ALL PORTS BSPP: PORT ADAPTOR BSPP/JIC 37° AVAILABLE
 AVAILABLE WITH SAE 'O' RING BOSS



Working Pressure 6000 PSI

MODEL														PORT SIZES					
	A	B	C	D	E	F	G	H	M	N	O	P	Q	1/4"	3/8"	1/2"	3/4"	1"	1 1/4"
170/20	12.99	11.81	9.44	9.37	6.69	1.96	19.68	24.09	.98	4700	170	4675	170-200 15	10		2	4	2	2

OPTIONAL PORT SIZES UPON REQUEST - UP TO 30 ELECTRICAL CONNECTIONS ALSO AVAILABLE
 ALL PORTS BSPP: PORT ADAPTOR BSPP/JIC 37° AVAILABLE
 AVAILABLE WITH SAE 'O' RING BOSS



Working Pressure 6000 PSI

SERIES 180

PORT SIZES

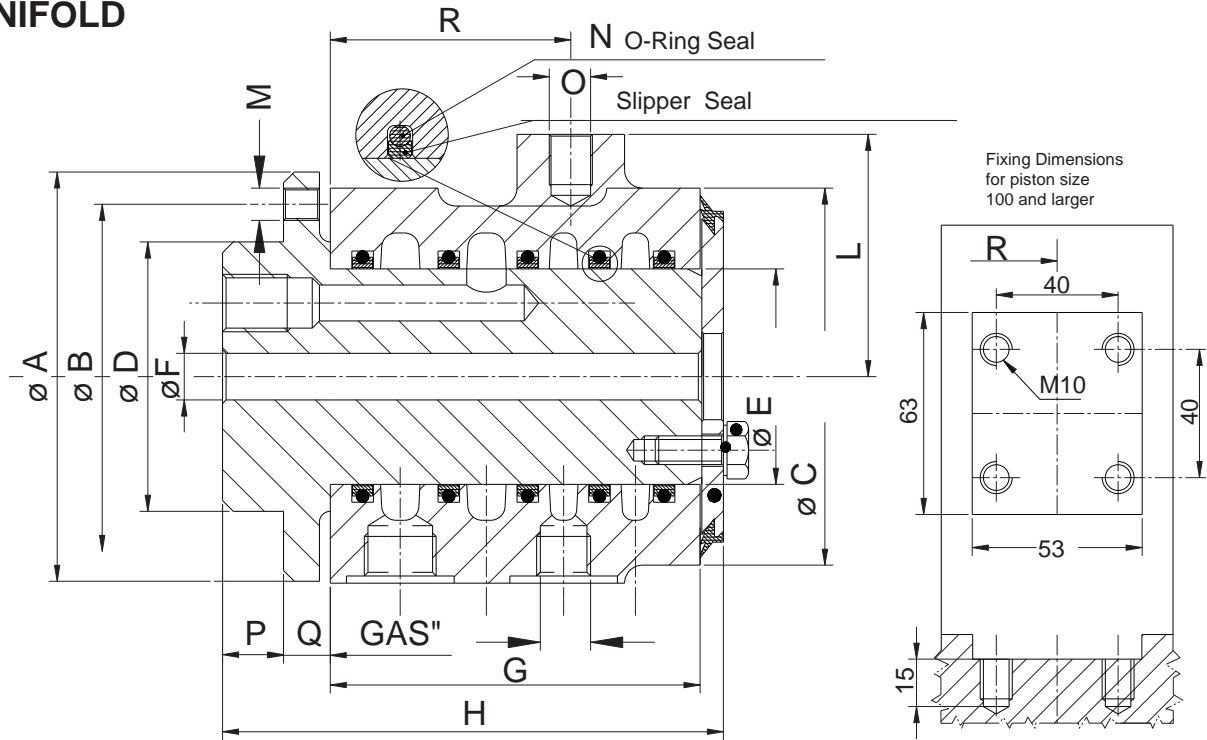
MODEL	A	B	C	D	E	F	G	H	L	O.R.	SLIPPER	1/4"	3/8"
180/6	8.58	7.08	6.29	5.55	7.16	6.29	1.57	.62	6.10	4700	6.88	6	
180/7	8.58	7.08	6.29	5.55	7.99	6.29	1.57	.62	6.10	4700	6.88	7	
180/8	8.58	7.08	6.29	5.55	8.74	6.29	1.57	.62	6.10	4700	6.88	8	
218/8	8.58	8.58	6.77	5.90	8.74	6.69	1.57	.62	6.10	4775	7.48		8

SERIES 160

160/4	7.59	6.29	5.55	4.80	5.98	5.74	1.57	.62	4.72	4625	6.10	4	
160/6	7.59	6.29	5.55	4.80	7.08	5.74	1.57	.62	4.72	4625	6.10	6	
160/8	7.59	6.29	5.55	4.80	8.74	5.74	1.57	.62	4.72	4625	6.10	8	

OPTIONAL PORT SIZES UPON REQUEST - UP TO 30 ELECTRICAL CONNECTIONS ALSO AVAILABLE
 ALL PORTS BSPP: PORT ADAPTOR BSPP/JIC 37° AVAILABLE
 AVAILABLE WITH SAE 'O' RING BOSS

AGRICULTURAL TYPE ROTARY MANIFOLD



N° USCITE	A	B	C	D	E	F	G	H	L	M	N	O	P	Q	R	1"	3/4"	1/2"	3/8"	1/4"
2	94	80	/	62	45	8	59	94	94	M8 x4	3.53	M10	14	11	29				2	
4	94	80	/	62	45	8	91	126	94	M8 x4	3.53	M10	14	11	50				2	2
2	114	95	/	75	60	12	77	111	117	M10 x4	3.53	M12	17	13	38			2		
4	114	95	/	75	60	12	103	138	117	M10 x4	3.53	M12	17	13	66			2	2	
6	114	95	/	75	60	12	110	146	100	M10 x4	3.53	M12	17	13	57					6
8	130	105	/	80	70	/	149	210	127	M10 x4	3.53	M12	45	13	75					8
10	130	105	/	80	70	/	200	262	100	M10 x4	3.53	M12	45	13	100				2	8
11	130	105	/	80	70	/	181	215	100	M10 x4	3.53	M12	45	13	95					11
2	170	150	/	100	85	20	68	117	150	M12 x4	3.53	M16	20	24	34		2			
4	170	150	/	100	85	20	112	161	150	M12 x4	3.53	M16	20	24	60		4			
4b	170	150	/	100	85	17	110	165	175	ø30	3.53	M16	20	24	60		1v	1v		2v
6b	170	150	/	100	85	17	149	204	175	ø30	3.53	M16	20	24	60		2v	2v		2v
8b	170	150	/	100	85	17	149	204	175	ø30	3.53	M16	20	24	60				2v	6v
4	170	150	/	120	100	20	68	117	150	M12 x4	3.53	M10 x4	18	17	75	2	2			
5	170	150	174	120	100	24	160	203	84	M12 x4	3.53	M10 x4	18	17	75	1	2	2		
6	170	150	174	120	100	24	160	203	84	M12 x4	3.53	M10 x4	18	17	75		4	2		
8	170	150	/	120	100	/	112	/	150	M12 x4	3.53	M10 x4	18	17	75				2	6

Dimensions Shown in mm

RR USA INC ROTARY MANIFOLDS

TECHNICAL FEATURES AND BENEFITS

HYDRAULIC

- 1 Seals in the cylinder, with the benefit of achieving “O” leakage and longer seal life.
- 2 Hard Chrome Piston for lower friction not affected by condensation, water and other elements.
- 3 Low drop pressure due to much larger oil passages in the piston, larger channels in the cylinder and smaller packages.
- 4 Custom design piston and housing mountings.

ELECTRIC

- 1 Integral and add-on electrical swivel.
- 2 Water proof.
- 3 Flexible assembly from 2 to 50 contacts in a compact package.
- 4 Silver or Gold plated contacts for electrical or data transmission.
- 5 From 5 to 50 AMP.
- 6 On request complete harness and connector

WARRANTY

R.R.USA, INC. warrants to Purchaser that its products are free from defects in material and workmanship under normal use and service for a period of one (1) year from the date the product is shown to have been placed into operation by original user or for eighteen (18) months from the date of shipment from seller's plant, whichever shall first occur.

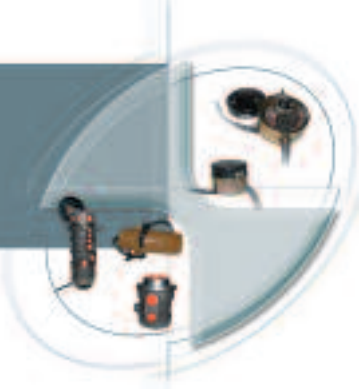
R.R.USA, INC. obligation under this warranty is expressly limited to the repair or replacement at its option; of the Products a written claim of defect f.o.b. seller's factory, Boothwyn, Pa, U.S.A., and which is determined by seller to be defective in fact.

This is the sole and only of seller and no other warranty is applicable, either expressed or implied, in fact or by law, including any warranty as to merchantability or fitness for a particular use or purpose.

The sole and only remedy in regard to any defective Products shall be the repair or replacement there of herein provided, and seller shall not be liable for any consequential, special, incidental, or punitive damages, losses or expenses resulting from or caused by any defects.

R.R. USA, INC.
Boothwyn, Pennsylvania, U.S.A.

Effective DATE: JULY 1, 1985



 **RR-USA** Inc.

www.rrusainc.com

RR-USA Inc.
8 Creek Parkway
Boothwyn, PA. 19061-8136
Ph. (610)497-0154
Fax (610)497-6085
e-mail: info@rrusainc.com

C.BN/RM001X105
editing: www.philstudium.com