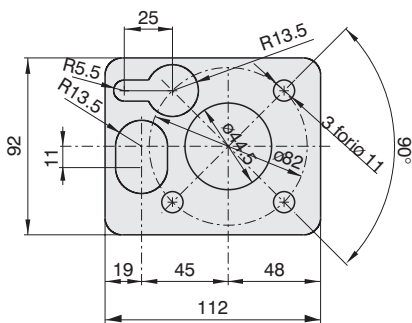
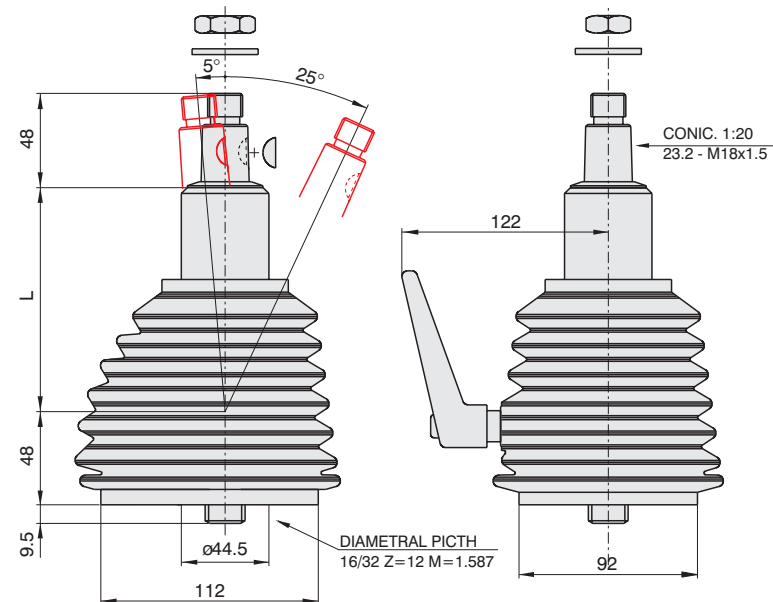


TILT COLUMNS



modello CSIB

CSIB type



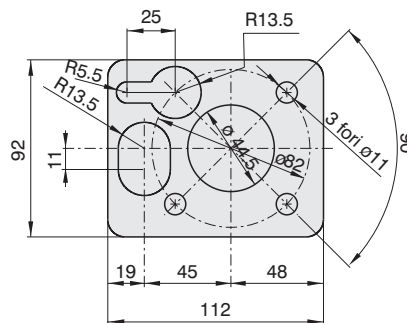
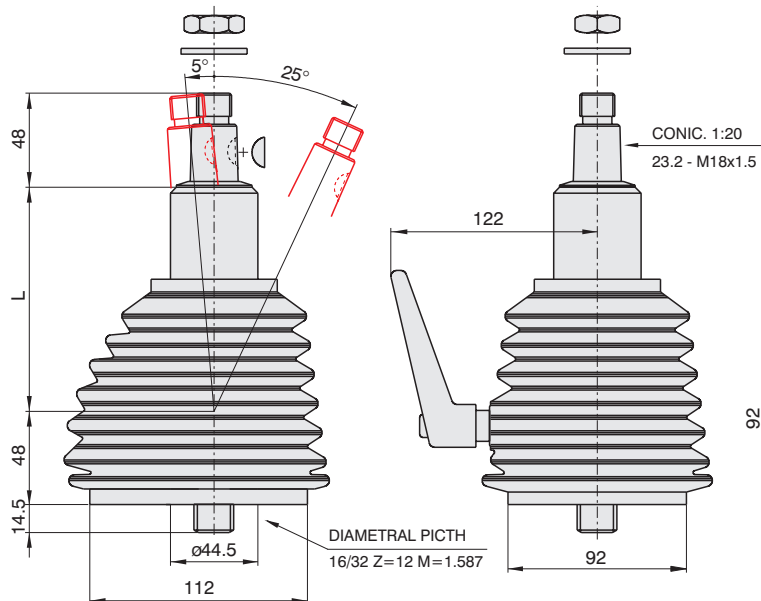
9.5

L	CODICE-CODE
280	CSIB110250
200	CSIB110200
150	CSIB110150
108	CSIB110108
82	CSIB110082



GRUPPO INCLINABILE CONO 1
disponibile con sporgenza 9.5 - 14.5 mm.

TILTING STEERING COLUMN UNIT hub CONE 1
available with protrusion 9.5 - 14.5 mm.



14.5

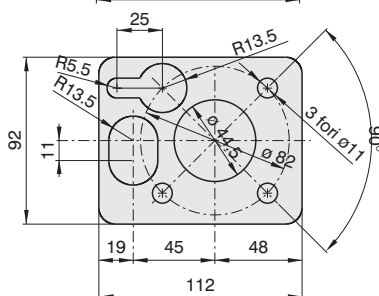
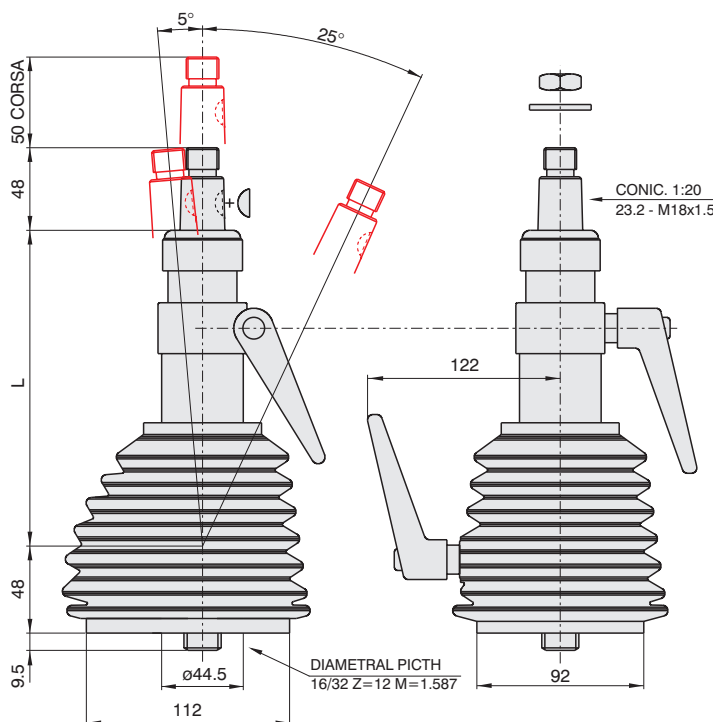
L	CODICE-CODE
280	CSIB120250
200	CSIB120200
150	CSIB120150
108	CSIB120108
82	CSIB120082

modello CRIB
CRIB type



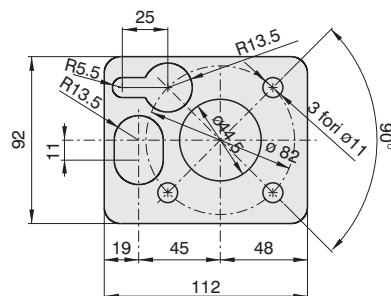
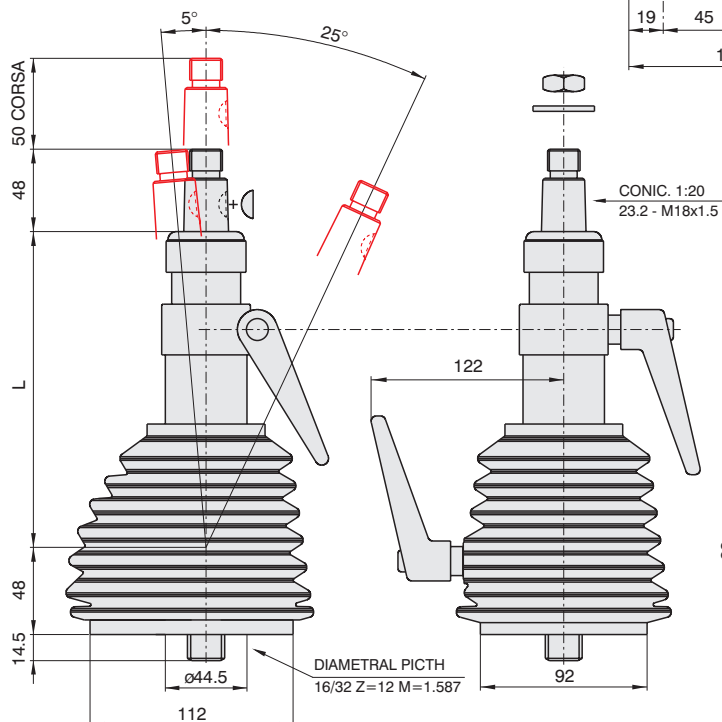
**GRUPPO INCLINABILE
E ORIENTABILE CONO 1**
disponibile con sporgenza 9.5 - 14.5 mm.

**TILTING AND TELESCOPIC
STEERING COLUMN UNIT hub CONE 1**
available with protrusion 9.5 - 14.5 mm



9.5

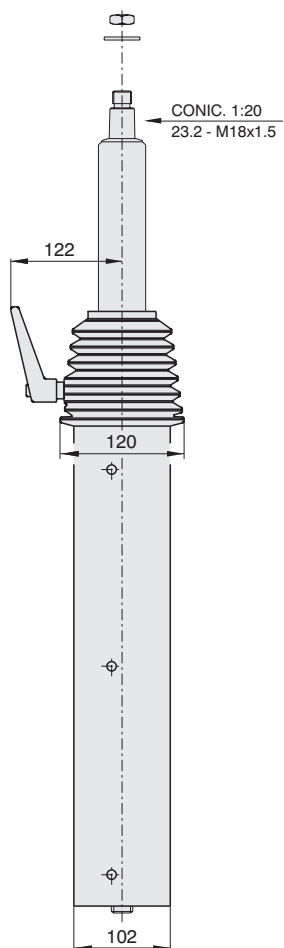
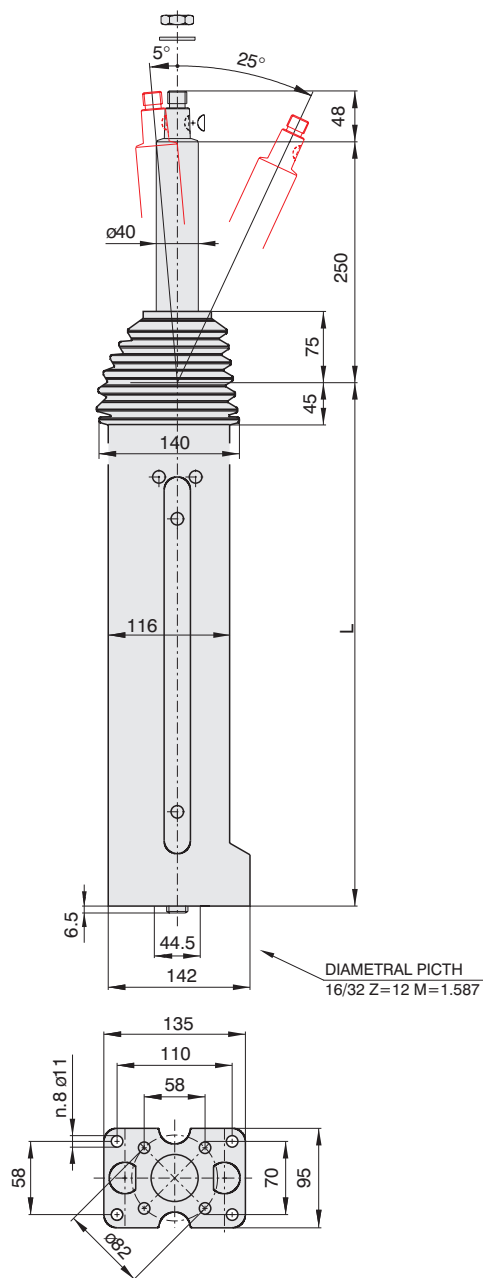
L CODICE-CODE
180 CRIB110180



14.5

L CODICE-CODE
180 CRIB120180

modello **CSIC**
CSIC type



ø40

L	CODICE-CODE
520	CSIC110520
500	CSIC110500
450	CSIC110450
400	CSIC110400
350	CSIC110350



GRUPPO INCLINABILE disponibile con diametro tubo 40 - 45 mm. CONO 1 con CARTER.

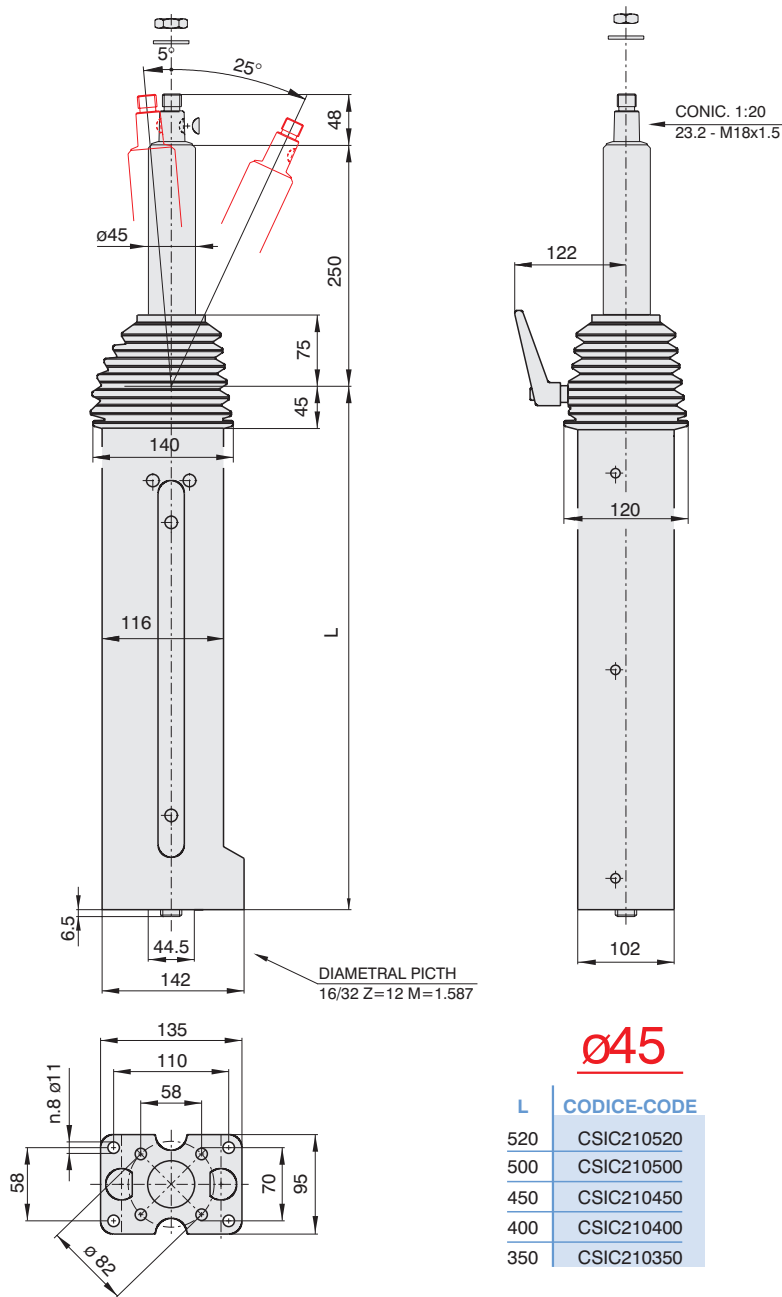
TILTING STEERING COLUMN UNIT available with iacket diameter 40 - 45 mm. hub CONE 1 with CARTRIDGE.

modello CSIC
CSIC type



GRUPPO INCLINABILE disponibile con diametro tubo 40 - 45 mm. CONO 1 con CARTER.

TILTING STEERING COLUMN UNIT available with iacket diameter 40 - 45 mm. hub CONE 1 with CARTRIDGE.

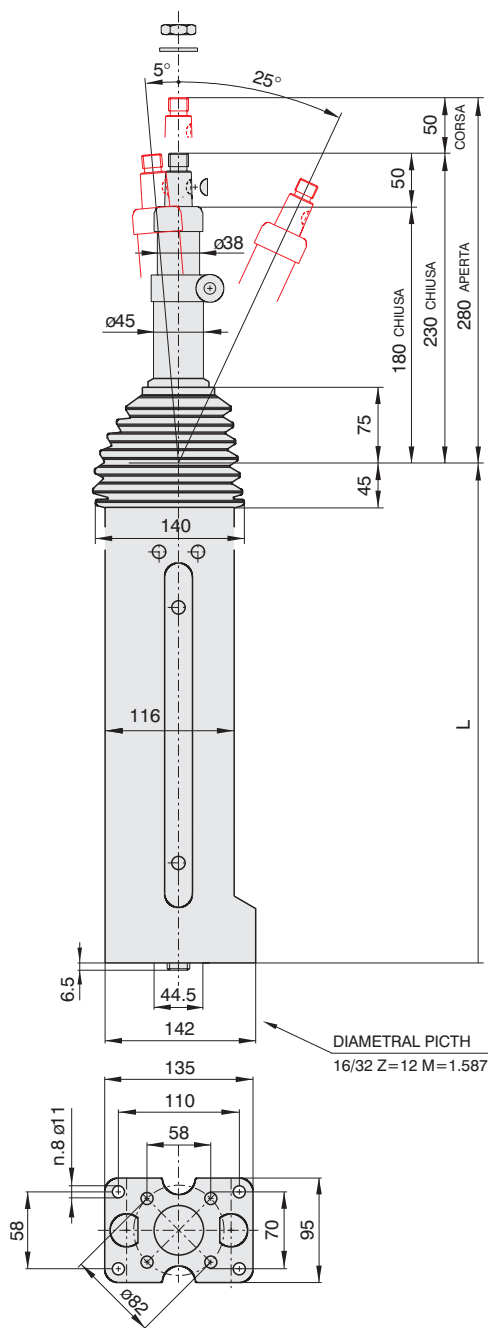


ø45

L	CODICE-CODE
520	CSIC210520
500	CSIC210500
450	CSIC210450
400	CSIC210400
350	CSIC210350

modello **CRIC**

CRIC type



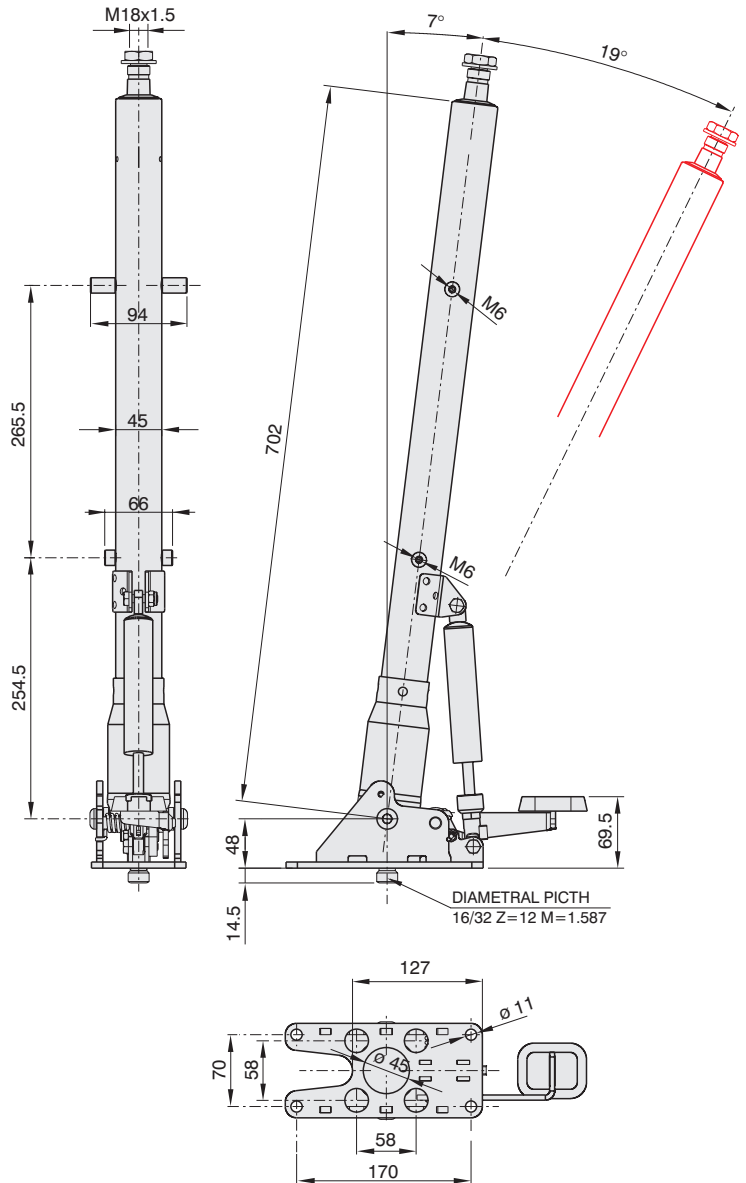
L	CODICE-CODE
520	CRIC110520
500	CRIC110500
450	CRIC110450
400	CRIC110400
350	CRIC110350
330	CRIC110330



GRUPPO INCLINABILE E TELESCOPICO
CONO 1 con CARTER.

TILTING AND TELESCOPIC STEERING COLUMN
UNIT hub CONE 1 with CARTRIDGE.

modello PSIB
PSIB type

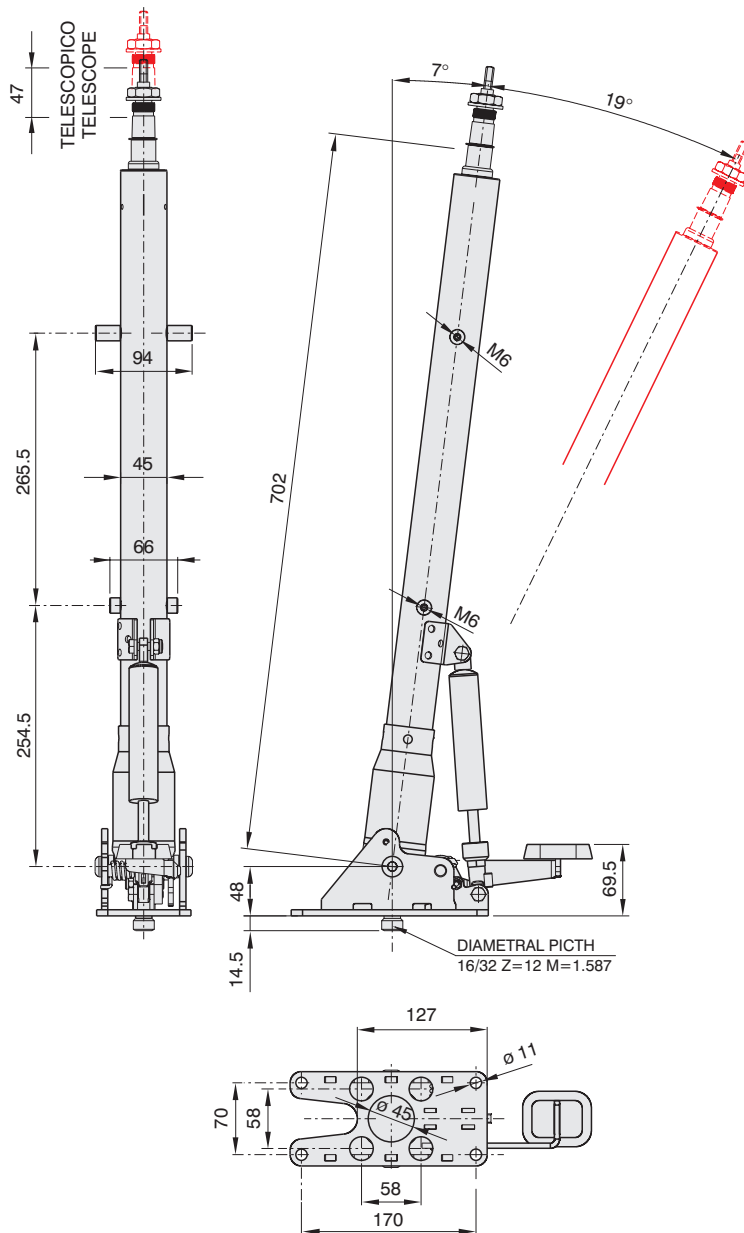


BREVETTATO - PATENTED

**GRUPPO INCLINABILE
ALLA BASE.**

**FOOT TILTING STEERING
COLUMN UNIT.**

modello PRIB
PRIB type



BREVETTATO - PATENTED

**GRUPPO INCLINABILE ALLA BASE
E TELESCOPICO AL VOLANTE.**

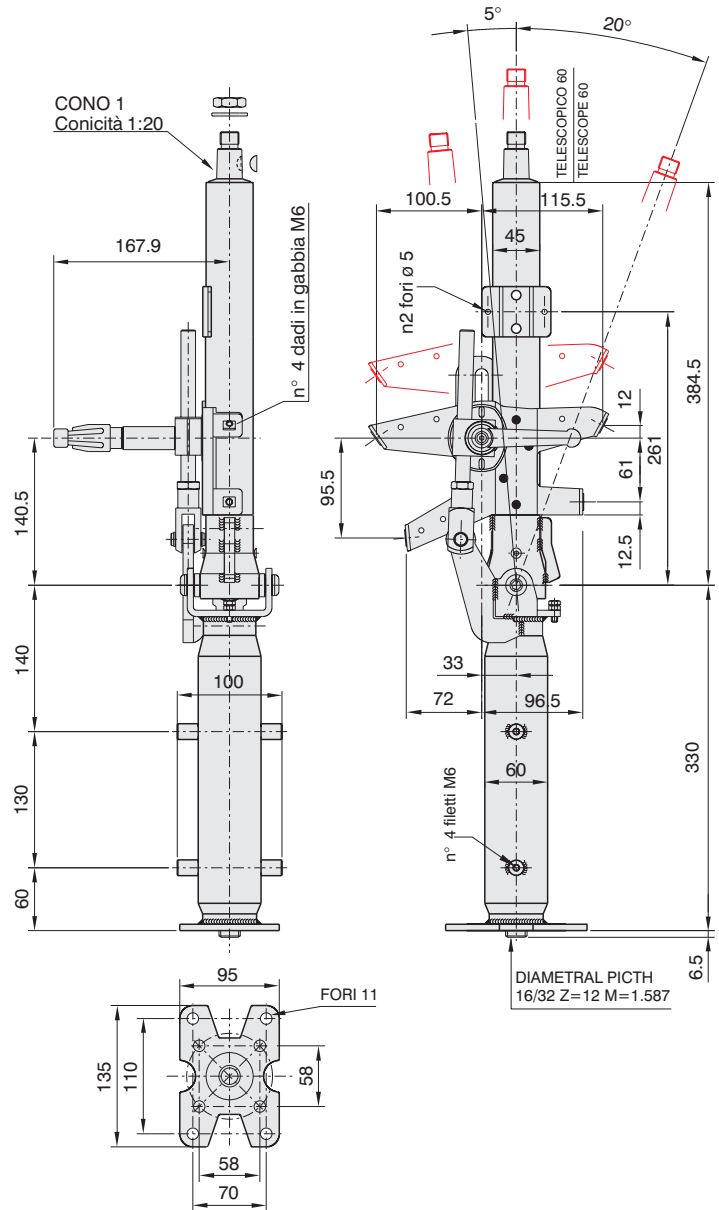
**FOOT TILTING AND TELESCOPIC
BY STEERING WHEEL KNOB UNIT.**

modello PTIM
PTIM type



**GRUPPO INCLINABILE
E TELESCOPICO.**

**TILTING AND TELESCOPIC
STEERING COLUMN UNIT.**



BREVETTATO - PATENTED



 **RR-USA** Inc.

www.rrusainc.com

RR-USA Inc.
8 Creek Parkway
Boothwyn, PA. 19061-8136
Ph. (610)497-0154
Fax (610)497-6085
e-mail: info@rrusainc.com