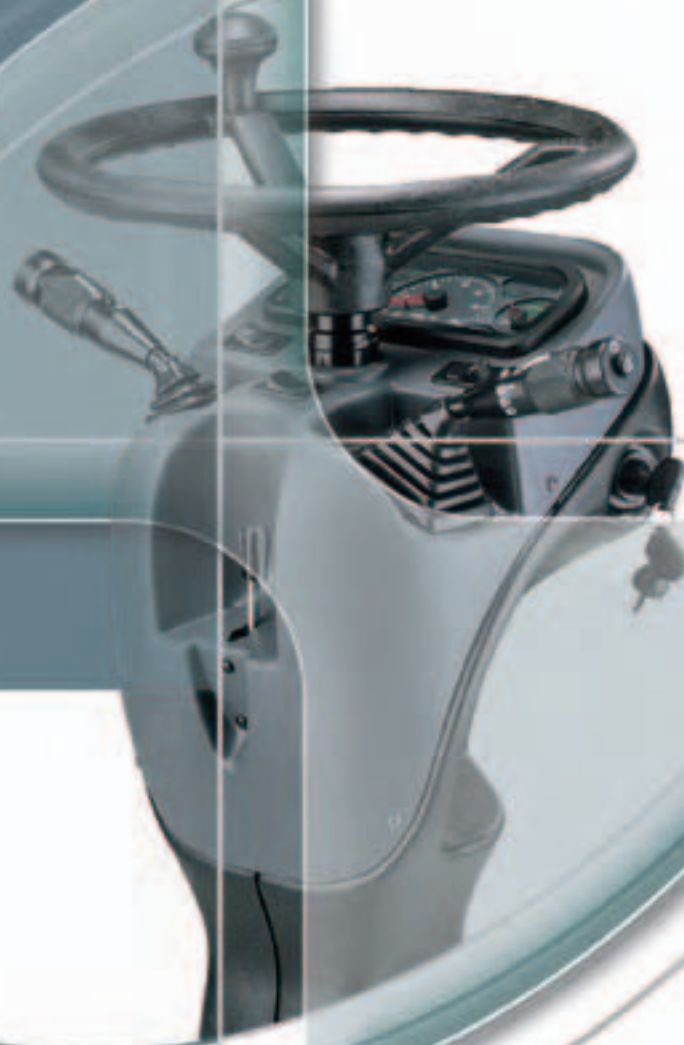


FA RR USA Inc.
Quality and Technology

**STEERING COLUMNS
AGRICULTURAL AND
INDUSTRIAL VEHICLES**



CONTENTS

VEGA

pag. 4

STAR pneumatic

pag. 5

SIRIUS model 150-250-305

pag. 6

KING model 150-250-305-325

pag. 8

IT 2000 pneumatic

pag. 11

VENUS model 150-250-305-325

pag. 12

SUN

pag. 15

MOON model 305 - 325

pag. 16

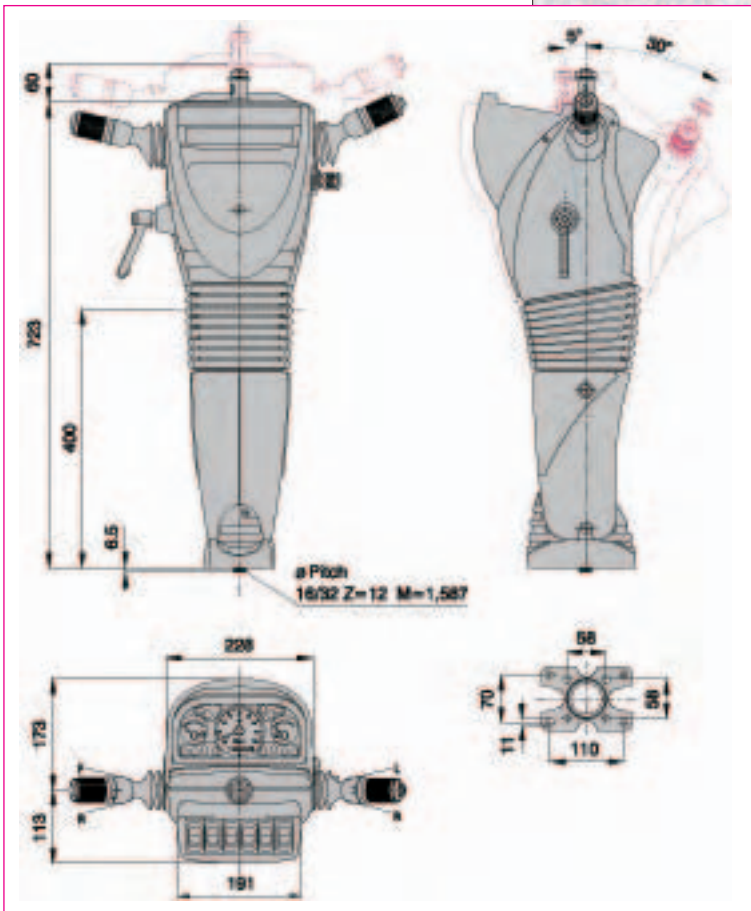
GALAXY model 150-250-305-325

pag. 18

VEGA

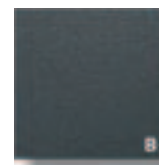
STANDARD SPECIFICATIONS

- Steering wheel taper Danfoss 1 (1:20 - ø 23,2).
- Connection for hydraulic power steering 16/32" - Z=12 - M=1,587.
- ABS plastic covering.
- Connectors at the end of the harness AMP CPC series 2 and 3.
- Other customized requests will be checked during the project development.
- Complete wiring harness.



- Tilt adjustment of 35° (30° toward the operator and 5° toward the windshield) by lever on the left side.
- Telescopic adjustment (60mm.) by the same lever used for the tilt adjustment.
- Instrumentation and electric components by customer request.
- Steering column switch with automatic reset

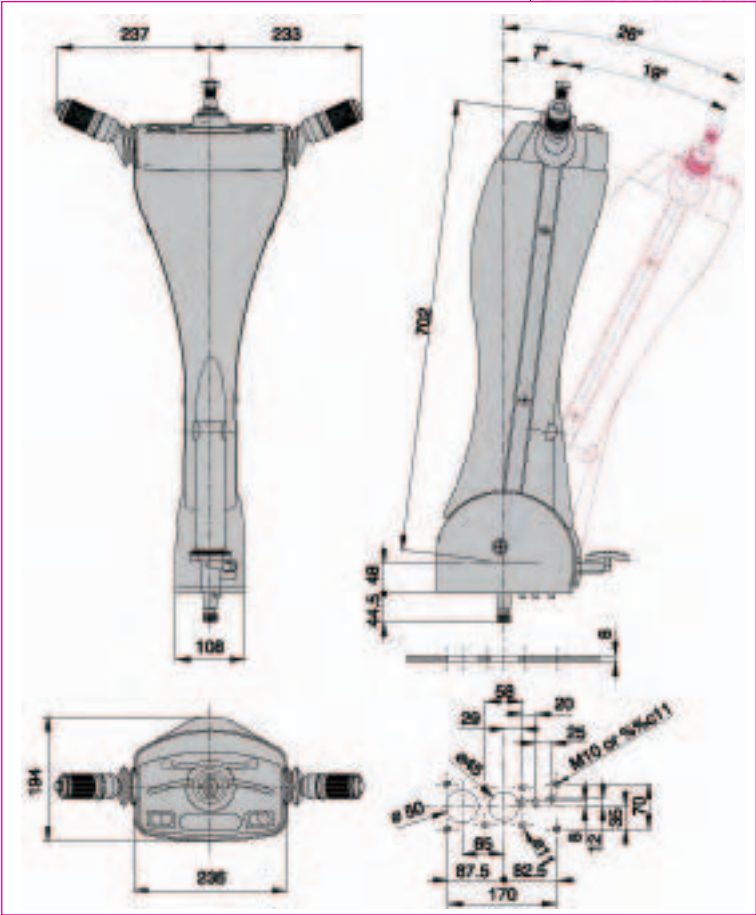
COLORS OPTIONS



STAR pneumatic

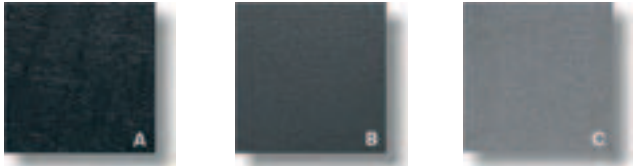
STANDARD SPECIFICATIONS

- Steering wheel taper Danfoss 1 (1:20 - ø 23,2).
- Connection for hydraulic power steering 16/32"- Z=12 - M=1,587.
- ABS plastic covering.
- Connectors at the end of the harness AMP CPC series 2 and 3.
- Other customized requests will be checked during the project development.
- Complete wiring harness



- Tilt adjustment of 19° toward the operator by shock absorber moved by foot pedal on the base of the column.
- Instrumentation and electric components by customer request.
- Steering column switch with automatic reset.

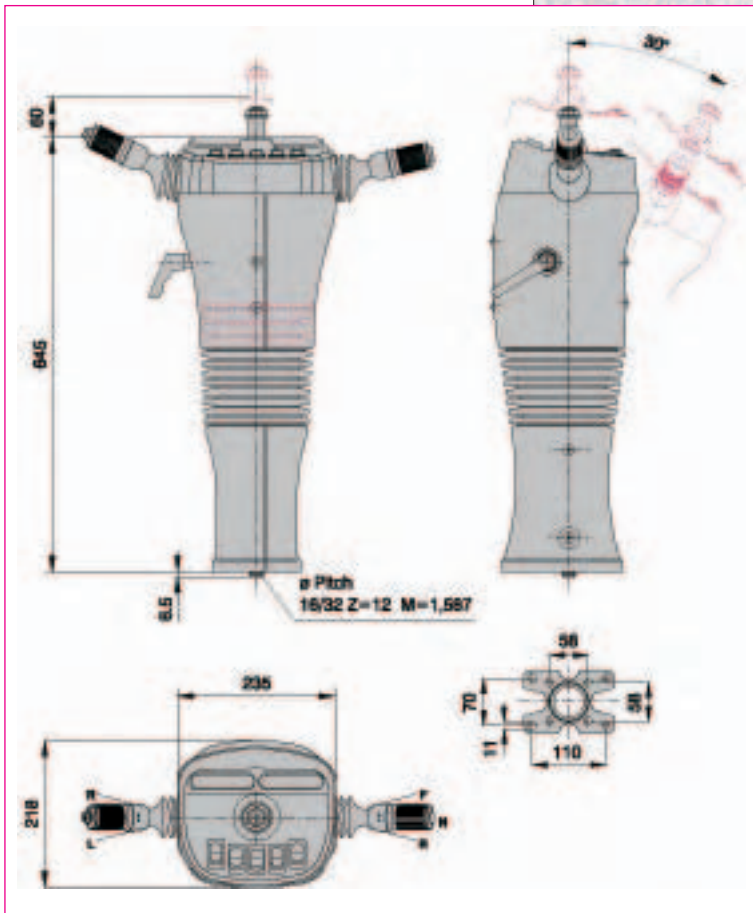
COLORS OPTIONS



SIRIUS

STANDARD SPECIFICATIONS

- Steering wheel taper Danfoss 1 (1:20 - ø 23,2).
- Connection for hydraulic power steering 16/32" - Z=12 - M=1,587.
- ABS plastic covering.
- Connectors at the end of the harness AMP CPC series 2 and 3.
- Other customized requests will be checked during the project development.
- Complete of harness.



COLORS OPTIONS

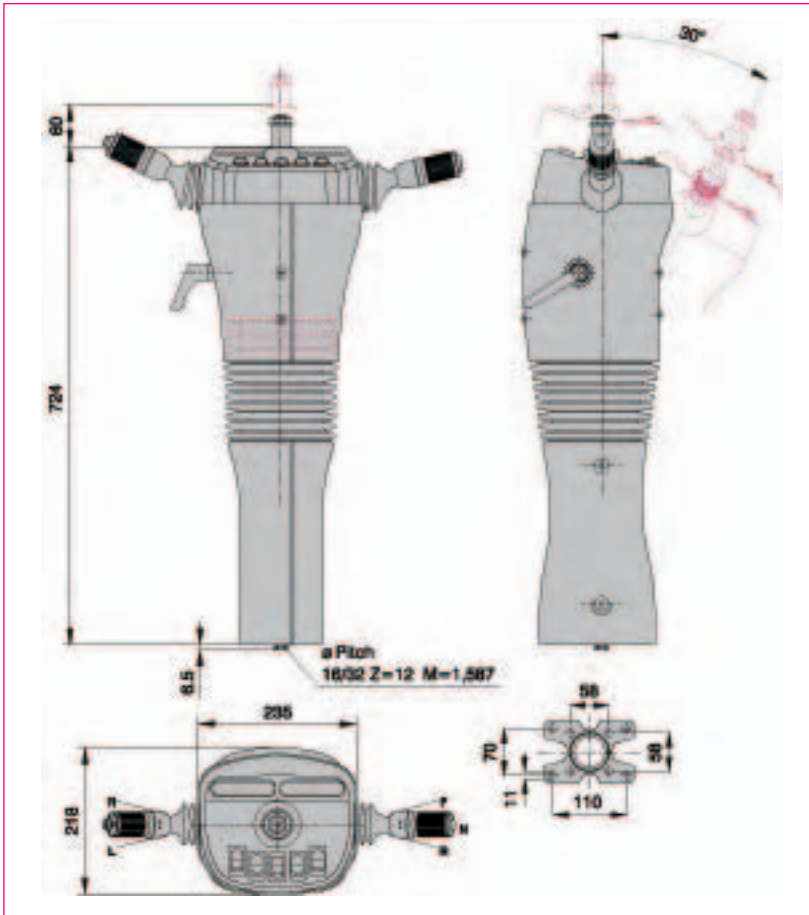
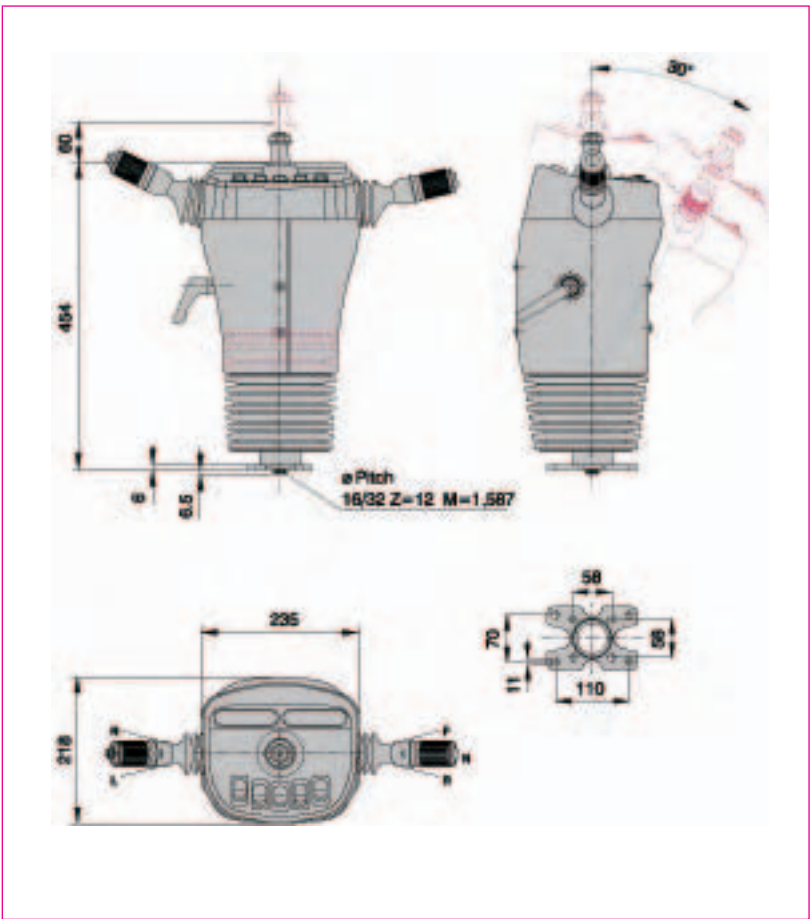


SIRIUS model 150

- Tilt adjustment of 30° toward the operator by lever on the left side.
- Telescopic adjustment (60mm) by the same lever used for the tilt adjustment.
- Instrumentation and electric components by customer request.
- Steering column switch with automatic reset.

SIRIUS model 250

- Tilt adjustment of 30° toward the operator by lever on the left side.
- Telescopic adjustment (60mm) by the same lever used for the tilt adjustment.
- Instrumentation and electric components by customer request.
- Steering column switch with automatic reset.



SIRIUS model 305

- Tilt adjustment of 30° toward the operator by lever on the left side.
- Telescopic adjustment (60mm) by the same lever used for the tilt adjustment.
- Instrumentation and electric components by customer request.
- Steering column switch with automatic reset.

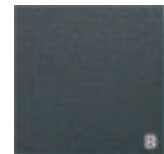
KING

STANDARD SPECIFICATIONS

- Steering wheel taper Danfoss 1 (1:20 - ø 23,2).
- Connection for hydraulic power steering 16/32" - Z=12 - M=1,587.
- ABS plastic covering.
- Connectors at the end of the harness AMP CPC series 2 and 3.
- Other customized requests will be checked during the project development.
- Complete of harness

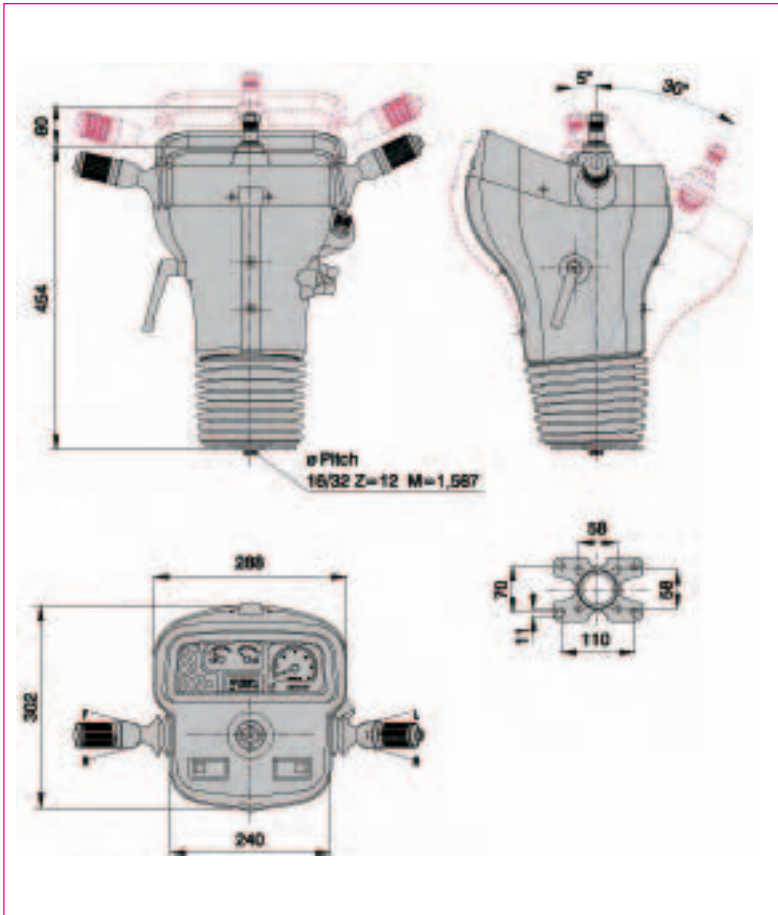
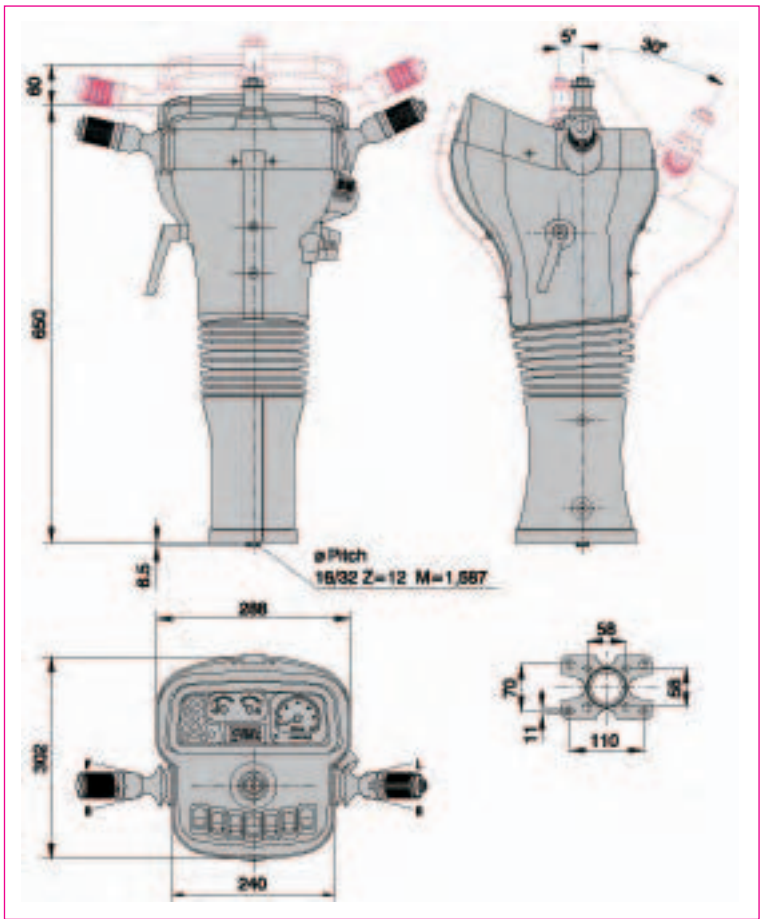


AVAILABLE with the following colours



KING model 150

- Tilt adjustment of 35° (30° toward the operator and 5° toward the windshield) by lever on the left side.
- Telescopic adjustment (60mm.) by the same lever used for the tilt adjustment.
- Instrumentation and electric components by customer request.
- Steering column switch with automatic reset

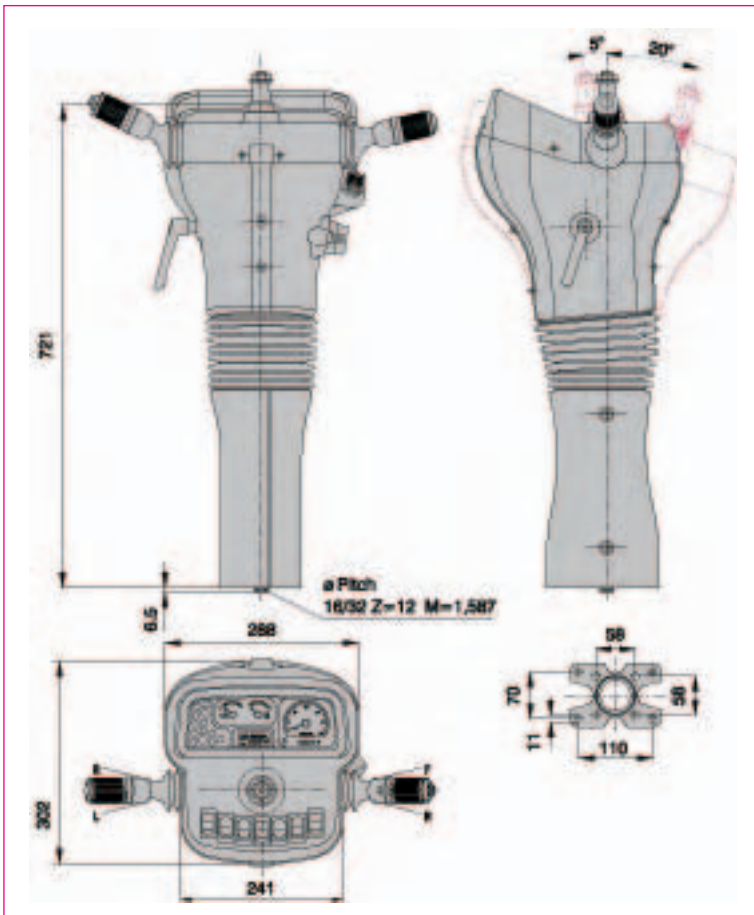
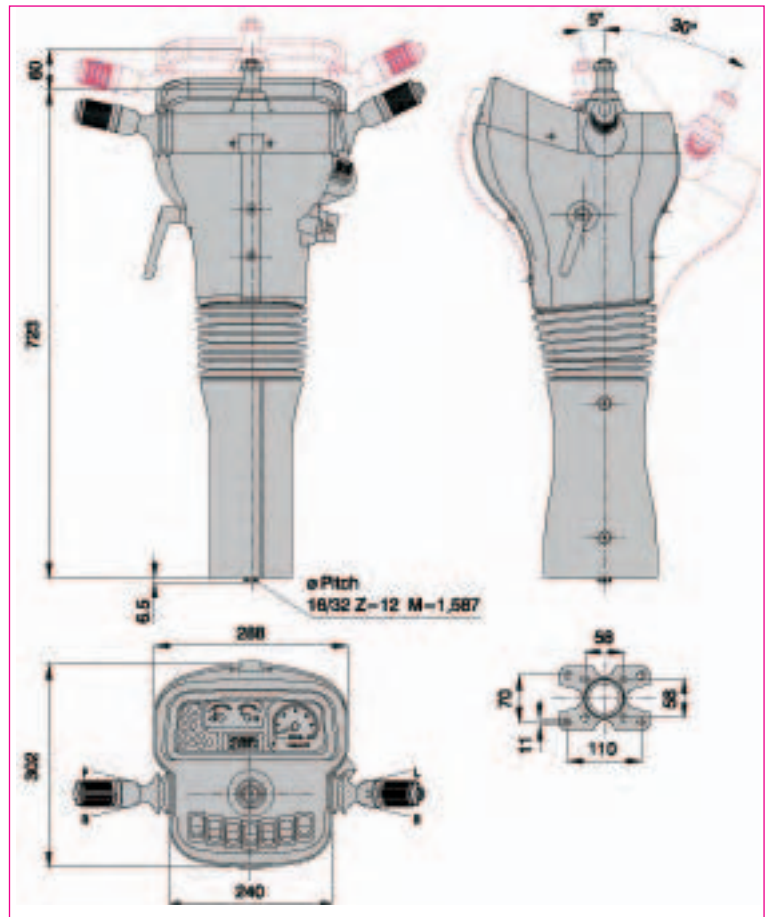


KING model 250

- Tilt adjustment of 35° (30° toward the operator and 5° toward the windshield) by lever on the left side.
- Telescopic adjustment (60mm.) by the same lever used for the tilt adjustment.
- Instrumentation and electric components by customer request.
- Steering column switch with automatic reset

KING model 305

- Tilt adjustment of 35° (30° toward the operator and 5° toward the windshield) by lever on the left side.
- Telescopic adjustment (60mm.) by the same lever used for the tilt adjustment.
- Instrumentation and electric components by customer request.
- Steering column switch with automatic reset



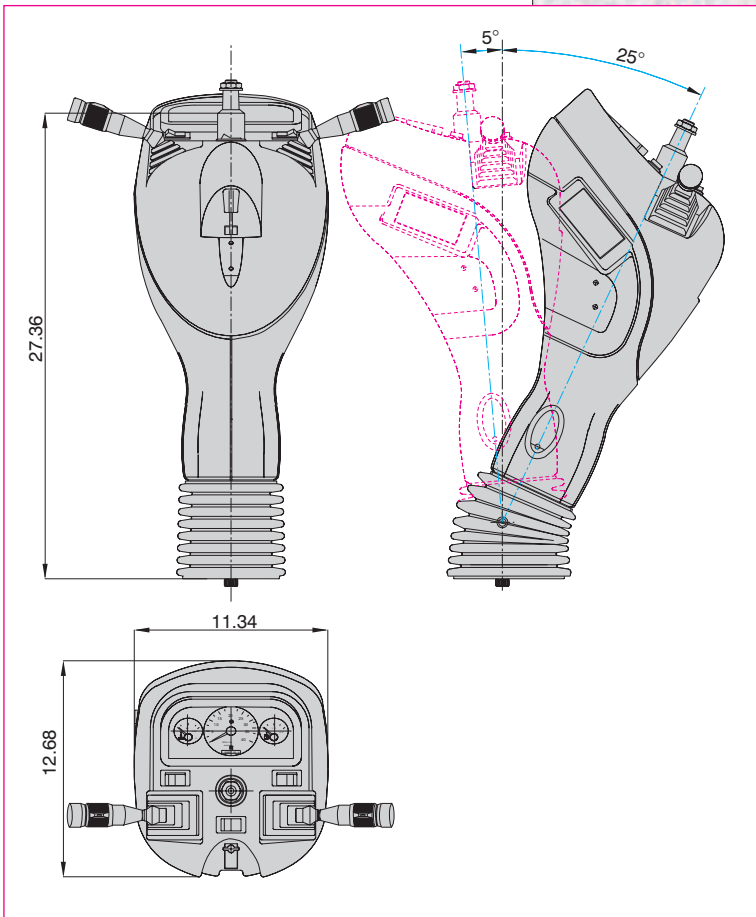
KING model 325

- Tilt adjustment of 25° (20° toward the operator and 5° toward the windshield) by lever on the left side.
- Instrumentation and electric components by customer request.

IT 2000 pneumatic

STANDARD SPECIFICATIONS

- Steering wheel taper Danfoss 1 (1:20 - ø 23,2).
- Connection for hydraulic power steering 16/32" - Z=12 - M=1,587.
- ABS plastic covering.
- Connectors at the end of the harness AMP CPC series 2 and 3.
- Other customized requests will be checked during the project development.
- Complete of harness



- Tilt adjustment of 25°(20° toward the operator and 5° toward the windshield) by shock absorber moved by a lever on the dashboard.
- Telescopic adjustment of 65mm. by a lever on the right side.
- Instrumentation and electric components by customer request.

COLORS OPTIONS



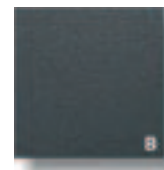
VENUS

STANDARD SPECIFICATIONS

- Steering wheel taper slot (1:20 - ϕ 0.91).
- Standard hydraulic steering valve joint 12T 16/32 D.P.
- ABS plastic covering.
- Output connectors to customer specifications.
- Complete wiring harness.

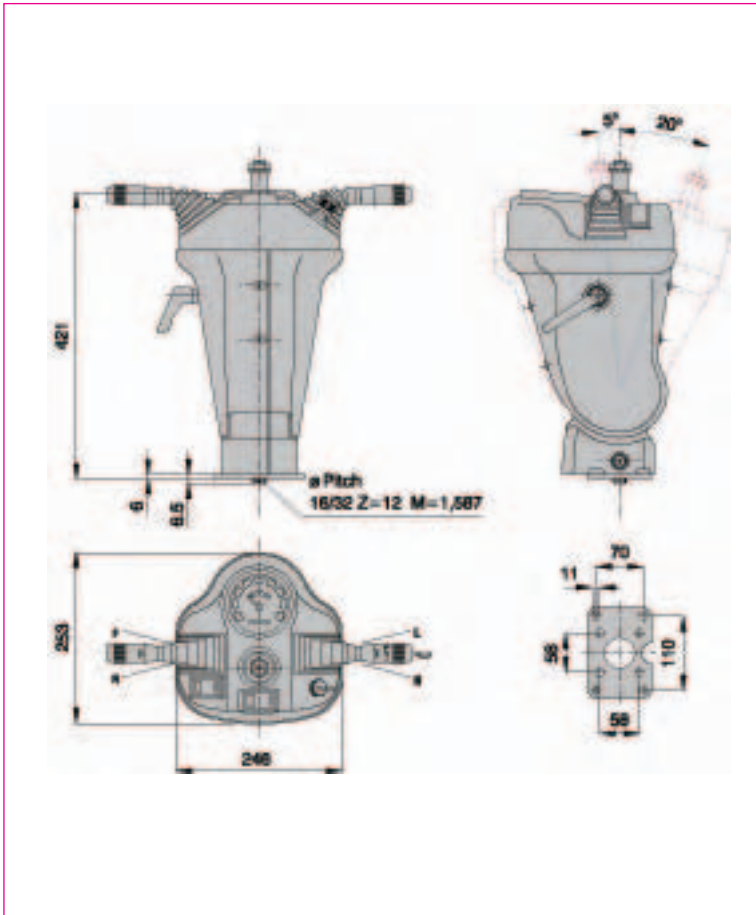
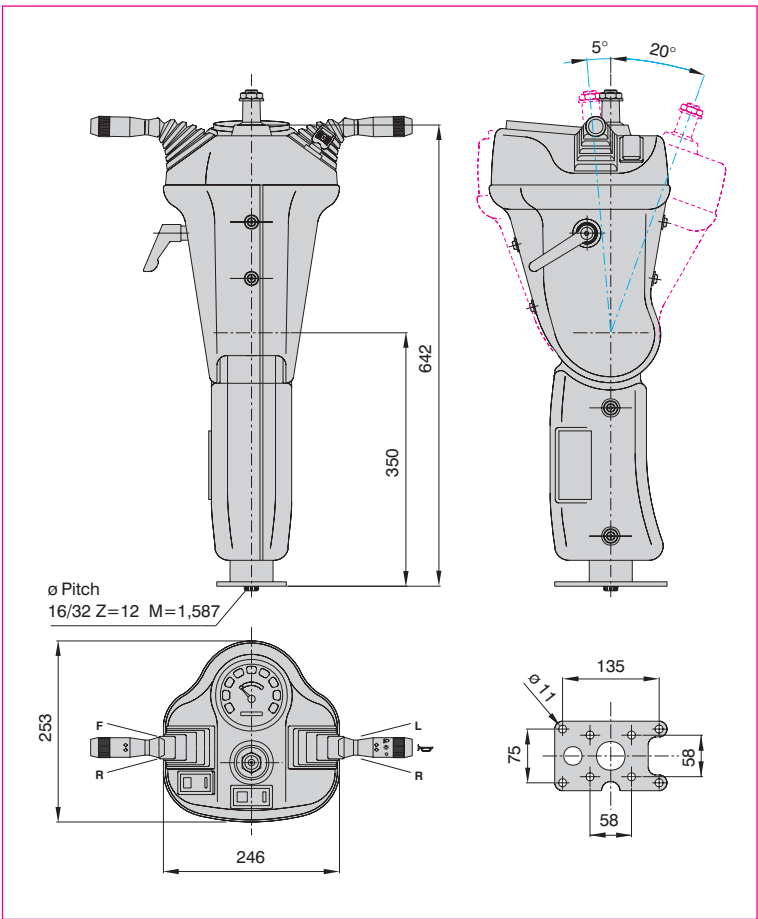


COLORS OPTIONS



VENUS model 150

- Tilt adjustment of 25° (20° toward the operator and 5° toward the windshield) by lever on the left side.
- On request telescopic adjustment (55mm.) (see IT 305 drawing).
- Instrumentation and electric components by customer request

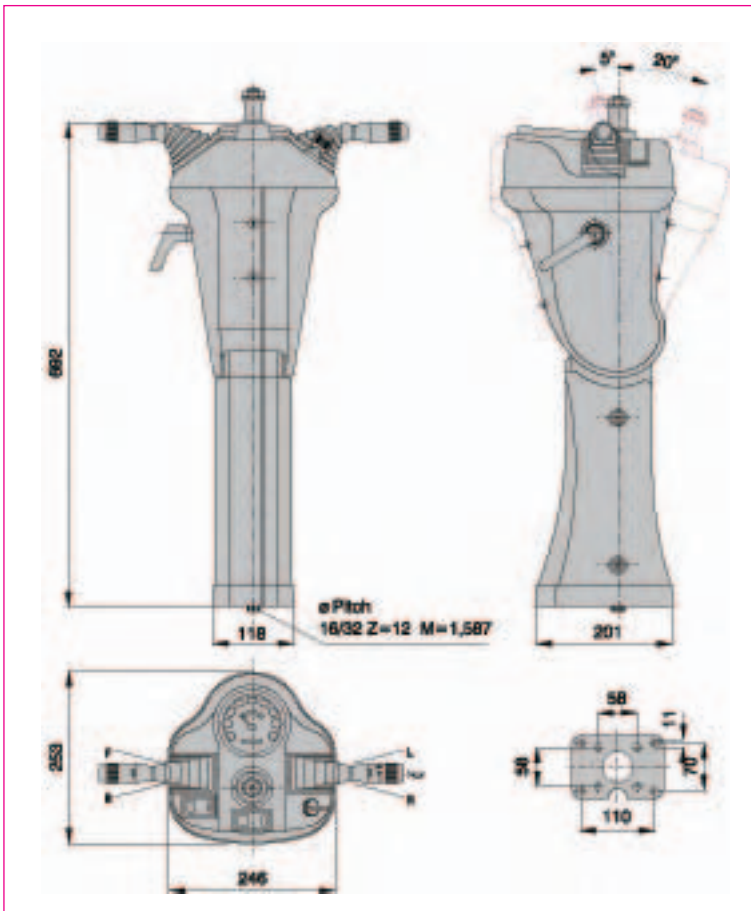
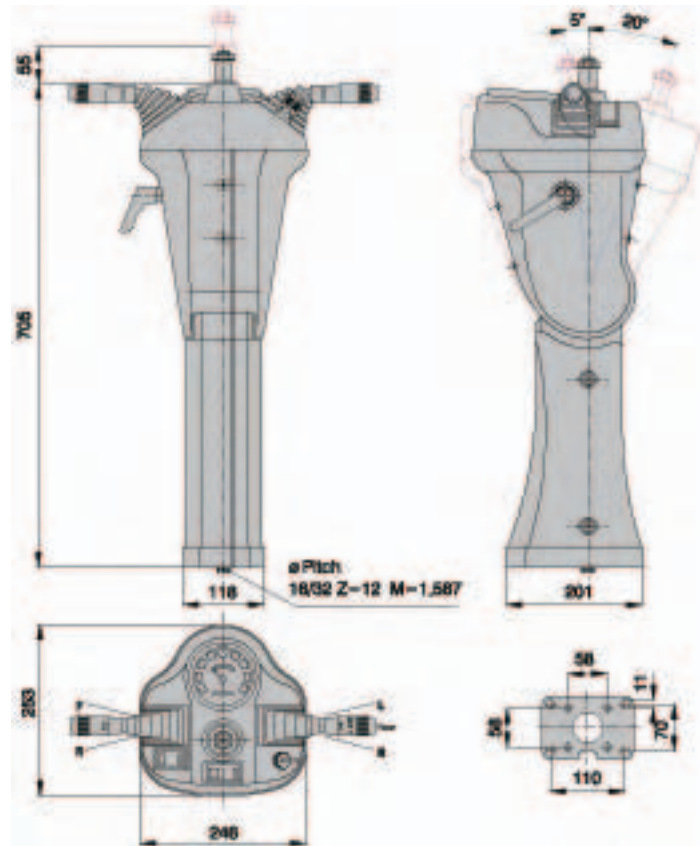


VENUS model 250

- Tilt adjustment of 25° (20° toward the operator and 5° toward the windshield) by lever on the left side.
- On request telescopic adjustment (55mm.) (see IT 305 drawing).
- Instrumentation and electric components by customer request.

VENUS model 305

- Tilt adjustment of 25° (20° toward the operator and 5° toward the windshield) by lever on the left side.
- Telescopic adjustment of 55mm. by the same lever on the right side used for the tilt adjustment (see IT 305 drawing).
- Instrumentation and electric components by customer request



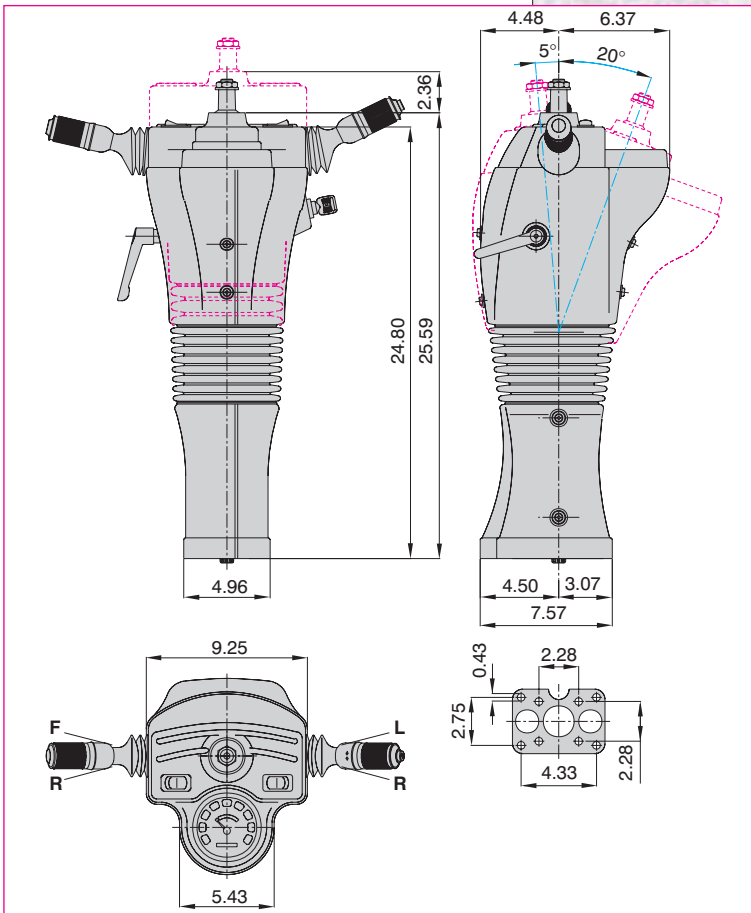
VENUS model 325

- Tilt adjustment of 25° (20° toward the operator and 5° toward the windshield) by lever on the left side.
- Instrumentation and electric components by customer request

SUN

STANDARD SPECIFICATIONS

- Steering wheel taper slot (1:20 - ϕ 0.91).
- Standard hydraulic steering valve joint 12T 16/32 D.P.
- ABS plastic covering.
- Output connectors to customer specifications.
- Complete wiring harness.



- Tilt adjustment of 25° (20° toward the operator and 5° toward the windshield) by lever on the left side.
- Telescopic adjustment (2,36 in.) by the same lever used for the tilt adjustment.
- Instrumentation and electric components upon customer request.
- Steering column switch with automatic reset

COLORS OPTIONS



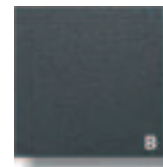
MOON

STANDARD SPECIFICATIONS

- Steering wheel taper slot (1:20 - ø 0.91).
- Standard hydraulic steering valve joint 12T 16/32 D.P.
- ABS plastic covering.
- Output connectors to customer specifications.
- Complete wiring harness.

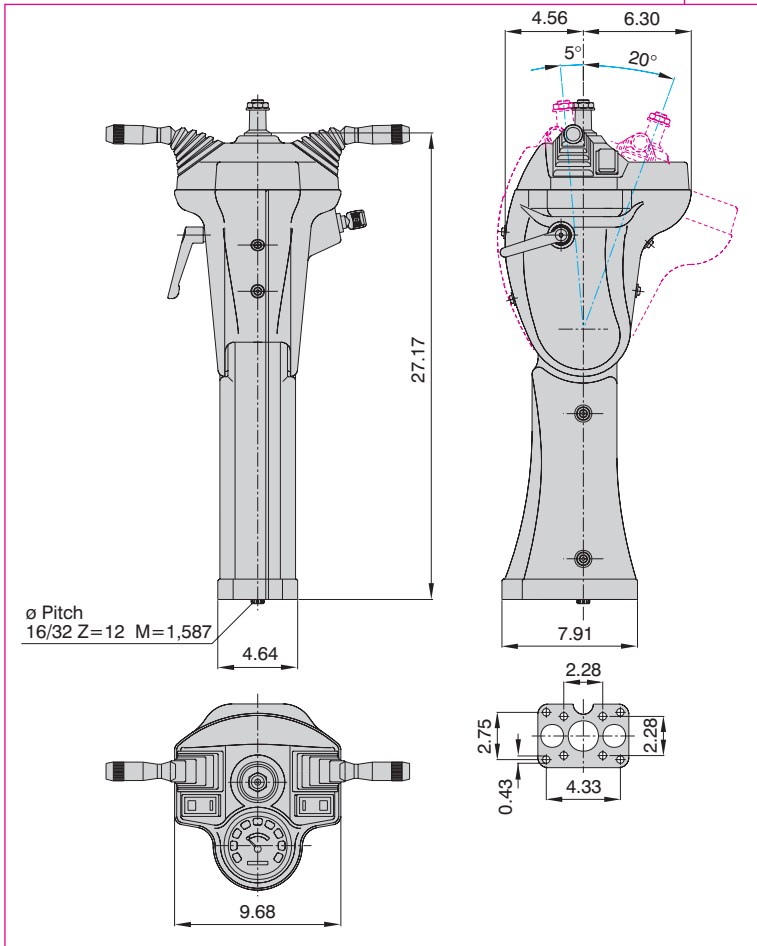
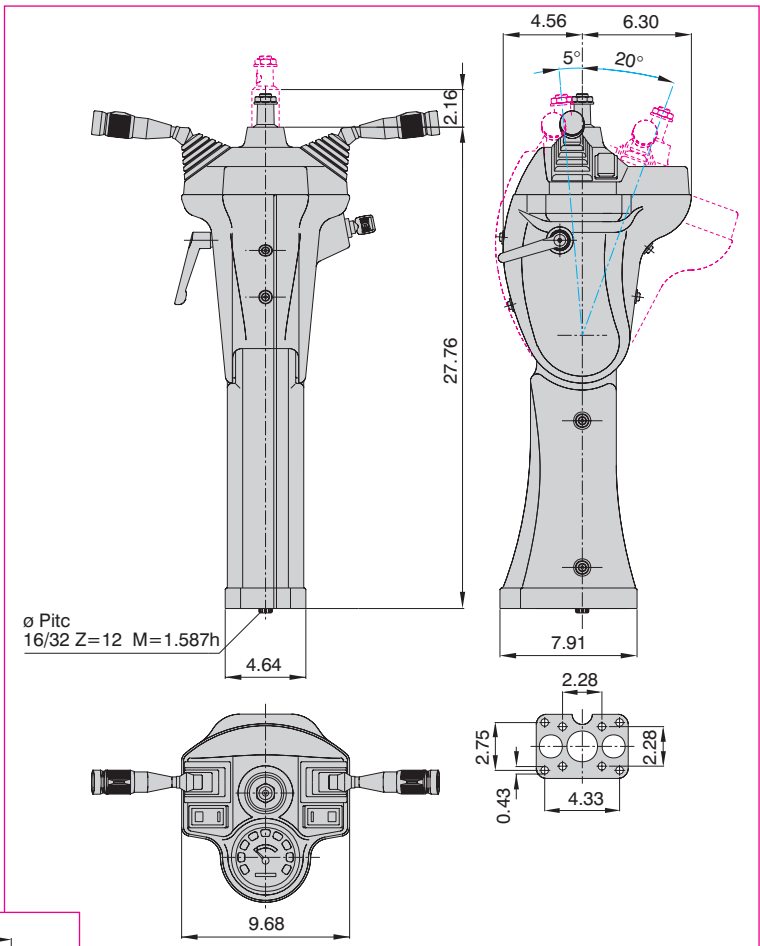


COLORS OPTIONS



MOON model 305

- Tilt adjustment of 25° (20° toward the operator and 5° toward the windshield) by lever on the left side.
- Telescopic adjustment (2,16 in.) by the same lever used for the tilt adjustment.
- Instrumentation and electric components upon customer request.



MOON model 325

- Tilt adjustment of 25° (20° toward the operator and 5° toward the windshield) by lever on the left side.
- Instrumentation and electric components upon customer request.

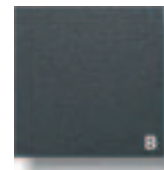
GALAXY

STANDARD SPECIFICATIONS

- Steering wheel taper slot (1:20 - ø 0.91).
- Standard hydraulic steering valve joint 12T 16/32 D.P.
- ABS plastic covering.
- Output connectors to customer specifications.
- Complete wiring harness.

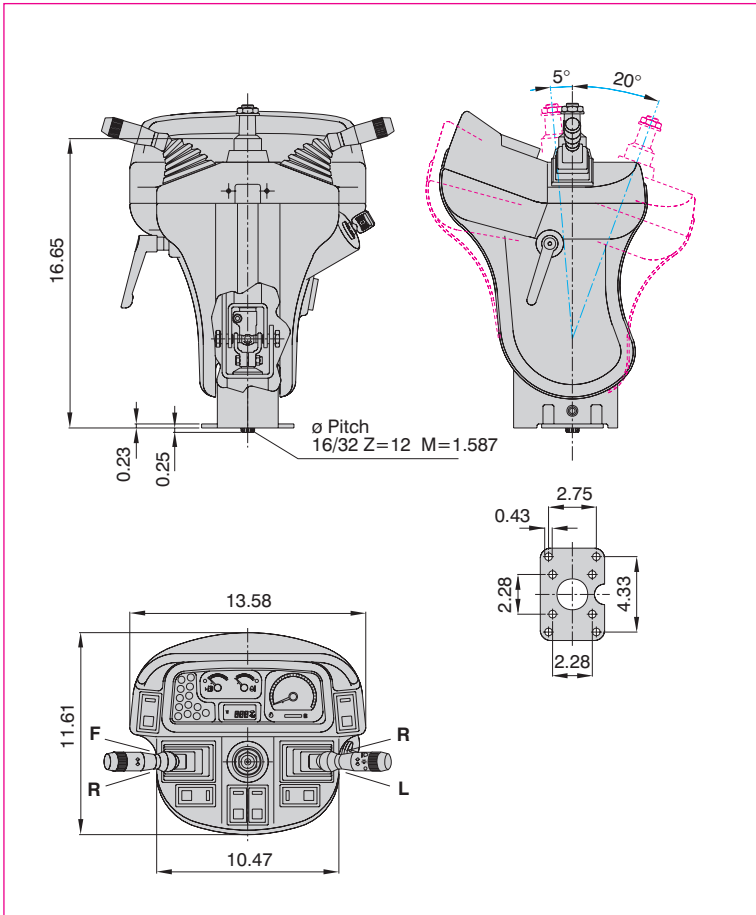
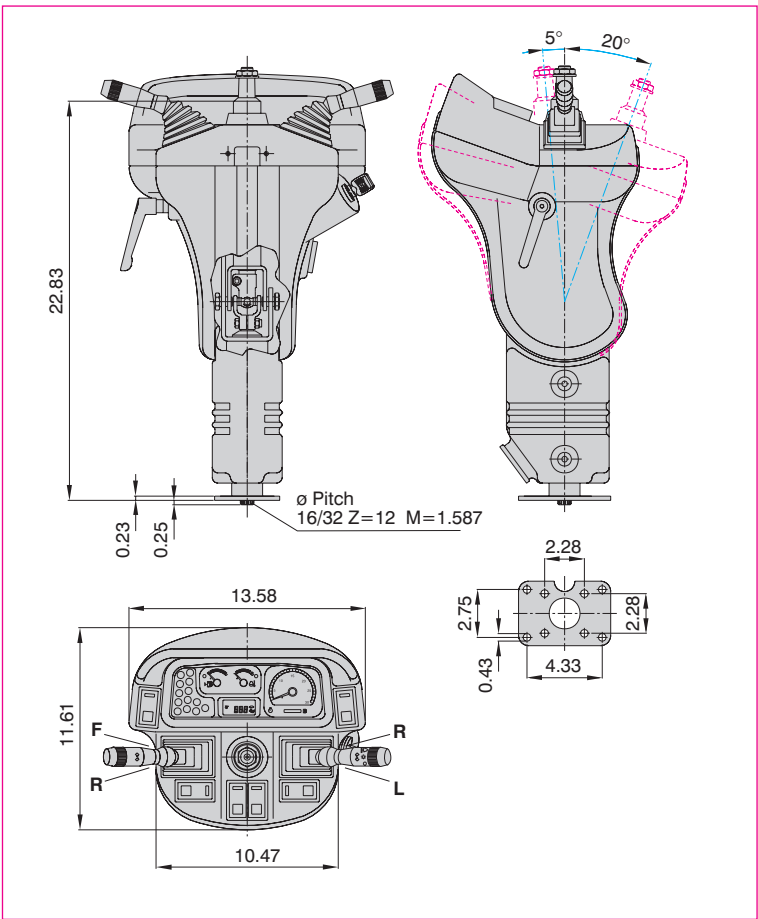


COLORS OPTIONS



GALAXY model 150

- Tilt adjustment of 25° (20° toward the operator and 5° toward the windshield) by lever on the left side.
- On request telescopic adjustment (2.16 in.) (see Galaxy 305 drawing).
- Instrumentation and electric components upon customer request.

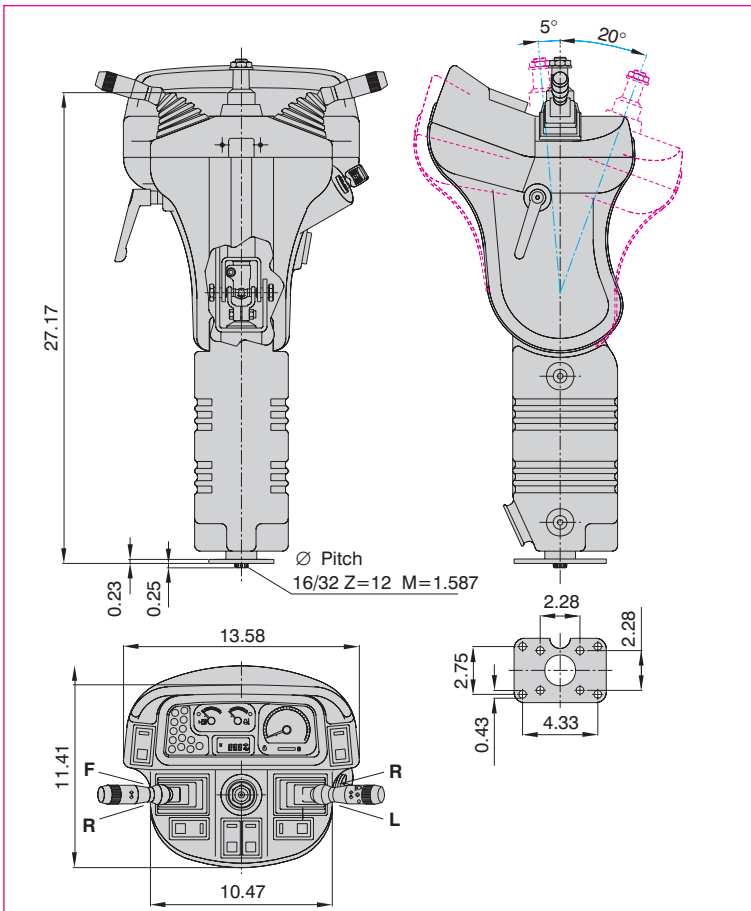
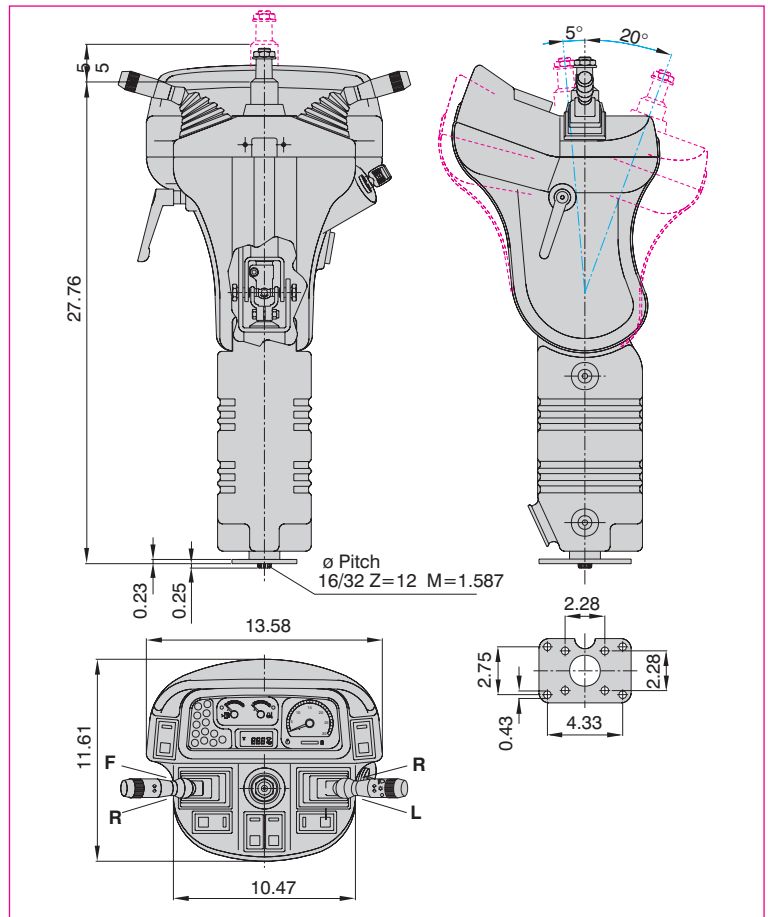


GALAXY model 250

- Tilt adjustment of 25° (20° toward the operator and 5° toward the windshield) by lever on the left side.
- On request telescopic adjustment (2,16 in.) (see Galaxy 305 drawing).
- Instrumentation and electric components upon customer request.

GALAXY model 305

- Tilt adjustment of 25° (20° toward the operator and 5° toward the windshield) by lever on the left side.
- Telescopic adjustment (2,16 in.) by the same lever used for the tilt adjustment.
- Instrumentation and electric components upon customer request.



GALAXY model 325

- Tilt adjustment of 25° (20° toward the operator and 5° toward the windshield) by lever on the left side.
- Instrumentation and electric components upon customer request.

Steering Column Design Sheet

Company

Contact

Phone

Machine

Model

Quantity

Voltage required V

IP rating required for electrical components

4. Steering column selected

5. Hydrostatic steering unit used

6. Type of connector required (eg. Deutsch, AMP, etc.)

Rocker Switches

#	FUNCTION	POSITIONS	CIRCUIT	SYMBOLS	TYPE
---	----------	-----------	---------	---------	------

Steering column lever switches

1. Is forward-reverse switch lever required	YES	NO
If yes, please specify number of speed		
2. Turn-signal, horn, low-high beam, and flashing required?	YES	NO
3. Diagnostics on start up required?	YES	NO
4. Ignition switch preheating required?	YES	NO

5. Fuse box required? YES NO
 If yes, please specify the number of circuits _____

Instrument system

Please let us know what kind of instrument system you need and the number of gauges:

Single gauge cluster : _____

Multigauge cluster : _____

If a specific gauge is requested, please specify manufacturer, part number, and ohm values

Function	OHM range	Function	OHM range	Function	OHM range
Function		Function		Function	
Function		Function		Function	
Function		Function		Function	

Warning lights

Please specify how many warning lights are required, their functions, colors, and polarities (+ / -)

Features

1. Tilt _____
2. Telescope _____
3. Tilt & Telescope _____
4. If a specific height is required, please specify _____

Special features required

Steering wheels

1. If steering wheel is required, please select the following:

Hard touch

Soft touch

with Knob

w/out Knob

with Neutral Cap

with Horn button

2. Diameter in

3. Do you need your LOGO on the steering wheel
(only available if center cap is neutral, no horn)

YES

NO

Applications:

1. Will the steering column be mounted inside a cab?

YES

NO

2. Will the steering column be exposed to adverse weather conditions?

YES

NO



 **RR-USA** Inc.

www.rrusainc.com

RR-USA Inc.
8 Creek Parkway
Boothwyn, PA. 19061-8136
Ph. (610)497-0154
Fax (610)497-6085
e-mail: info@rrusainc.com